

PARISH OF CADDO
DEPARTMENT OF PUBLIC WORKS

2021



Right-of-Way Utilization Permit
Separate application for each road

**This permit shall be available at the site
where and when work is being done.**

Permit No. _____
Builder _____
Owner _____
Applicant _____
Internal Use Only

Date: _____

Business / Applicant's Name ("Permittee") _____

Applicant's Street Address _____

Applicant's City, State, Zip _____

_____/_____/_____
Township Range Section

Bonanza Trail
Job/Site Location _____

Legal Description

Telephone Number

Email Address

Fax Number

TYPE OF PERMIT

_____ Culvert & or Driveway (See [Fee Schedule](#)) - *Mark with two flagged stakes in ditch*

Contractor/Builder: _____ License Number: _____

Contractor/Builder Address: _____ Phone Number: _____

Start of Construction: _____

_____ Utility/Pipeline/Boring (See [Fee Schedule](#))

Proposed Construction _____

Length in Parish Right-of-Way 2915 ft.

Road Number for Parish Road Crossings (being bored) 10

** Submit drawing & one copy of plans and specifications of the proposed construction.

** The permittee agrees to properly maintain the facilities installed pursuant hereto, to repair at its own expense any damage to the facilities caused by the parish or its agents, personnel or equipment during future work on the right of way or public property wherein the facilities are located, to relocate the facilities at its own expense if requested to do so by the Caddo Parish Department of Public Works, and to properly repair at its own expense any damage to the public right of way or property resulting from activities of the permittee in carrying out the maintenance or removal of said facilities.

RIGHT-OF-WAY PERMIT

PARISH OF CADDO PUBLIC WORKS DEPARTMENT

1. Installations within the highway right-of-way shall be in accordance with the applicable provisions contained in the following: ASHTO Guide for Accommodating Utilities within Highway Right of Way, code of Federal Regulations 23 (CFR 23), National Electrical Safety Code C2, and 1996 Federal Telecommunications Act. Those facilities not included in the above mentioned documents shall be in accordance with accepted practice. Where standards of the Department exceed those of the above cited codes, the standards of the Department shall apply. The Department reserves the right to modify its policies as may be required if conditions warrant.
2. The applicant agrees to defend, indemnify, and hold harmless the Department and its duly appointed agents and employees from and against any and all claims, suits, liabilities, losses, damages, costs or expenses, including attorneys' fees sustained by reason of the exercise of this permit, whether or not the same may have been caused by the negligence of the Department, its agents or employees, provided, however, that the provisions of this last clause (whether or not the same may have been caused by the negligence of the Department, its agents or employees) shall not apply to any personal injury or property damage caused by the sole negligence of the Department, its agents or employees, unless sole negligence shall consist or shall have consisted entirely and only of negligence in the granting of a project permit or project permits.
3. Any permit granted by the Department is subject to revocation at any time.
4. All materials and workmanship shall conform to the requirements of the applicable industry code and to Department specifications.
5. All excavations within the limits of the right-of-way shall be backfilled and tamped in six inch layers to the density of the adjacent undisturbed soil. Where sod is removed or destroyed, it shall be replaced. Where it is necessary to make excavations in the shoulder, the top six inches of backfill shall be sand-clay gravel or equivalent. Where existing spoil material is, at the discretion of the Department, unsuitable for backfill, select material shall be furnished in lieu thereof and the existing material disposed of by approved methods.
6. Protruding valves and other above ground appurtenances shall not be installed at any point within the right of way of the highway except for vents, markers, etc., which may be installed at the right-of-way line, unless specifically approved herein.
7. All lines parallel to the roadway shall be located within the back slope of the road ditch and have a minimum depth of 36" below the bottom of the present ditch
 1. Pipelines paralleling the highway:
 - a. Shall occupy the last few feet of the right-of-way back of the ditch except where upon showing of actual necessity a permit is issued for another location;
 - b. Shall have a minimum earth cover of thirty-six (36) inches;
 - c. Shall have a minimum clearance of thirty-six (36) inches below existing or proposed drainage structures, where possible.

RIGHT-OF-WAY PERMIT

8. It is understood and agreed that all lines crossing gravel or surfaced highways must be either bored or jacked under the highway and encased in a pipe of larger diameter extending from right of way line, and a minimum depth of 36" below the elevation of the bottom of the ditch.
 - a. Crossings shall be made at as nearly right angles to the highway as possible. No existing drainage structure under the highway may be used for this purpose.
 - (1) Construction methods used shall be in accordance with the following requirements:
 - Cutting the surface or tunneling under it is specifically prohibited.
 - Installation shall be made either by boring or jacking under and through the highway at least from ditch bottom to ditch bottom. In the absence of ditches, or along sections of highway with curb or gutter, boring or jacking shall extend beyond the outside edge of the traveled way to a point at least equal to three (3) times the vertical difference between the elevation of the roadway surfacing and the elevation of the top of the cable.

Where width of right-of-way is insufficient to enable compliance with this requirement or where it is necessary to make a connection to an existing parallel facility which precludes compliance, the distance shall be to the right of way line or the parallel facility. Any voids or over breaks resulting from this shall be backfilled with grout consisting of a cement mortar or a slurry of fine sand or clay, as conditions require. Excavating an open ditch to the edge of the pavement and boring and jacking the remainder of the distance is prohibited. Jacking and boring shall be done in accordance with Section 728 of the La. Standard Specifications for Roads and Bridges, latest edition.

9. Traffic control methods and devices for utility construction, maintenance, relocation, or removal shall conform to the specifications and provisions of the Manual on Uniform Traffic Control Devices for Streets and Highways. All construction and maintenance operations should be planned and conducted with full regard to safety and to keep interference to traffic to an absolute minimum. All safety precautions for the protection of the traveling public must be observed. Undue delay to traffic will not be tolerated. If pipe is stockpiled between the road ditch and the traveled surface, Type II barricades with flashers will be placed and maintained every 50 feet.
10. Care shall be taken in utility installation to avoid disturbing existing drainage facilities. Drainage in highway side and cross ditches must be maintained at all times. The entire highway right of way affected by work under a permit must be restored to as good a condition as existed prior to beginning work to the complete satisfaction of the Department of Public Works. In the event that there is a narrow right of way and it becomes necessary to install the utility in the ditch line or disturb the ditch in any way, the contractor shall establish drainage at the end of each day or work period.
11. It is a violation of La. R.S. 32:293, MOTOR VEHICLES-TRAFFIC REGULATIONS to leave dirt or mud on the roadway. The contractor shall clean up any mud or dirt left on roadway at the end of each day or work period.

RIGHT-OF-WAY PERMIT

12. The contractor, his successors or assigns, shall not disturb more than 1000 feet of parish right of way at a time ahead of cleanup and final dress. There shall not be more than 1000 feet of stockpiled material on parish right of way ahead of the area disturbed.
13. Any above ground installation, such as manholes, shall be installed level or flush with ground and in such a manner as not to be a safety hazard.
14. During final cleanup, the contractor shall have re-established a good stand of grass in the area disturbed by his construction and repair any potholes or damage to the surface, shoulder, ditches, or back slope to the specifications and approval of the Caddo Parish Department of Public Works.
15. The applicant shall furnish a copy of this permit to the contractor or any subcontractors that are making this installation, and the contractor or subcontractors shall have a copy of this permit at the job site at all times.

**PARISH OF CADDO
DEPARTMENT OF PUBLIC WORKS**

This instrument will serve as your receipt for your right of way permit fee of \$ 500
which is **nonrefundable**. This fee shall be paid by check to the Parish of Caddo.

Check # _____ Amount _____

Please read all provisions prior to signing this permit. Failure to conform to the provisions of this permit shall result in the revoking of said permit. By signing this permit, the applicant acknowledges receiving a copy of all [rules and regulations](#).

I hereby certify that the information given on this Right-of-Way permit application is true and correct to the best of my knowledge. I have not misrepresented the facts or willfully given erroneous information.

By accepting this permit, permittee, its successors and assigns warrant that its installation will conform to the conditions and requirements herein set forth in this permit.

Justin Ash _____
Applicant Date

Applicant must notify Caddo Parish Inspector at 318-347-3228 prior to beginning work and after work has been completed.

For Internal Use Only

Permit No. _____ Issue Date: _____

Expiration Date: _____

APPROVED:

Caddo Parish Right-of-Way Permit Specialist Date

Caddo Parish Assistant Director or Project Manager Date

PARISH OF CADDO
DEPARTMENT OF PUBLIC WORKS

2021



Right-of-Way Utilization Permit
Separate application for each road

**This permit shall be available at the site
where and when work is being done.**

Permit No. _____
Builder _____
Owner _____
Applicant _____
Internal Use Only

Date: _____

Business / Applicant's Name ("Permittee") _____

Applicant's Street Address _____

Applicant's City, State, Zip _____

_____/_____/_____
Township Range Section

Janell Dr.
Job/Site Location _____

Legal Description _____

Telephone Number _____

Email Address _____

Fax Number _____

TYPE OF PERMIT

_____ Culvert & or Driveway (See [Fee Schedule](#)) - *Mark with two flagged stakes in ditch*

Contractor/Builder: _____ License Number: _____

Contractor/Builder Address: _____ Phone Number: _____

Start of Construction: _____

_____ Utility/Pipeline/Boring (See [Fee Schedule](#))

Proposed Construction _____

Length in Parish Right-of-Way 2114 ft.

Road Number for Parish Road Crossings (being bored) 1

** Submit drawing & one copy of plans and specifications of the proposed construction.

** The permittee agrees to properly maintain the facilities installed pursuant hereto, to repair at its own expense any damage to the facilities caused by the parish or its agents, personnel or equipment during future work on the right of way or public property wherein the facilities are located, to relocate the facilities at its own expense if requested to do so by the Caddo Parish Department of Public Works, and to properly repair at its own expense any damage to the public right of way or property resulting from activities of the permittee in carrying out the maintenance or removal of said facilities.

RIGHT-OF-WAY PERMIT

PARISH OF CADDO PUBLIC WORKS DEPARTMENT

1. Installations within the highway right-of-way shall be in accordance with the applicable provisions contained in the following: ASHTO Guide for Accommodating Utilities within Highway Right of Way, code of Federal Regulations 23 (CFR 23), National Electrical Safety Code C2, and 1996 Federal Telecommunications Act. Those facilities not included in the above mentioned documents shall be in accordance with accepted practice. Where standards of the Department exceed those of the above cited codes, the standards of the Department shall apply. The Department reserves the right to modify its policies as may be required if conditions warrant.
2. The applicant agrees to defend, indemnify, and hold harmless the Department and its duly appointed agents and employees from and against any and all claims, suits, liabilities, losses, damages, costs or expenses, including attorneys' fees sustained by reason of the exercise of this permit, whether or not the same may have been caused by the negligence of the Department, its agents or employees, provided, however, that the provisions of this last clause (whether or not the same may have been caused by the negligence of the Department, its agents or employees) shall not apply to any personal injury or property damage caused by the sole negligence of the Department, its agents or employees, unless sole negligence shall consist or shall have consisted entirely and only of negligence in the granting of a project permit or project permits.
3. Any permit granted by the Department is subject to revocation at any time.
4. All materials and workmanship shall conform to the requirements of the applicable industry code and to Department specifications.
5. All excavations within the limits of the right-of-way shall be backfilled and tamped in six inch layers to the density of the adjacent undisturbed soil. Where sod is removed or destroyed, it shall be replaced. Where it is necessary to make excavations in the shoulder, the top six inches of backfill shall be sand-clay gravel or equivalent. Where existing spoil material is, at the discretion of the Department, unsuitable for backfill, select material shall be furnished in lieu thereof and the existing material disposed of by approved methods.
6. Protruding valves and other above ground appurtenances shall not be installed at any point within the right of way of the highway except for vents, markers, etc., which may be installed at the right-of-way line, unless specifically approved herein.
7. All lines parallel to the roadway shall be located within the back slope of the road ditch and have a minimum depth of 36" below the bottom of the present ditch
 1. Pipelines paralleling the highway:
 - a. Shall occupy the last few feet of the right-of-way back of the ditch except where upon showing of actual necessity a permit is issued for another location;
 - b. Shall have a minimum earth cover of thirty-six (36) inches;
 - c. Shall have a minimum clearance of thirty-six (36) inches below existing or proposed drainage structures, where possible.

RIGHT-OF-WAY PERMIT

8. It is understood and agreed that all lines crossing gravel or surfaced highways must be either bored or jacked under the highway and encased in a pipe of larger diameter extending from right of way line, and a minimum depth of 36" below the elevation of the bottom of the ditch.
 - a. Crossings shall be made at as nearly right angles to the highway as possible. No existing drainage structure under the highway may be used for this purpose.
 - (1) Construction methods used shall be in accordance with the following requirements:
 - Cutting the surface or tunneling under it is specifically prohibited.
 - Installation shall be made either by boring or jacking under and through the highway at least from ditch bottom to ditch bottom. In the absence of ditches, or along sections of highway with curb or gutter, boring or jacking shall extend beyond the outside edge of the traveled way to a point at least equal to three (3) times the vertical difference between the elevation of the roadway surfacing and the elevation of the top of the cable.

Where width of right-of-way is insufficient to enable compliance with this requirement or where it is necessary to make a connection to an existing parallel facility which precludes compliance, the distance shall be to the right of way line or the parallel facility. Any voids or over breaks resulting from this shall be backfilled with grout consisting of a cement mortar or a slurry of fine sand or clay, as conditions require. Excavating an open ditch to the edge of the pavement and boring and jacking the remainder of the distance is prohibited. Jacking and boring shall be done in accordance with Section 728 of the La. Standard Specifications for Roads and Bridges, latest edition.

9. Traffic control methods and devices for utility construction, maintenance, relocation, or removal shall conform to the specifications and provisions of the Manual on Uniform Traffic Control Devices for Streets and Highways. All construction and maintenance operations should be planned and conducted with full regard to safety and to keep interference to traffic to an absolute minimum. All safety precautions for the protection of the traveling public must be observed. Undue delay to traffic will not be tolerated. If pipe is stockpiled between the road ditch and the traveled surface, Type II barricades with flashers will be placed and maintained every 50 feet.
10. Care shall be taken in utility installation to avoid disturbing existing drainage facilities. Drainage in highway side and cross ditches must be maintained at all times. The entire highway right of way affected by work under a permit must be restored to as good a condition as existed prior to beginning work to the complete satisfaction of the Department of Public Works. In the event that there is a narrow right of way and it becomes necessary to install the utility in the ditch line or disturb the ditch in any way, the contractor shall establish drainage at the end of each day or work period.
11. It is a violation of La. R.S. 32:293, MOTOR VEHICLES-TRAFFIC REGULATIONS to leave dirt or mud on the roadway. The contractor shall clean up any mud or dirt left on roadway at the end of each day or work period.

RIGHT-OF-WAY PERMIT

12. The contractor, his successors or assigns, shall not disturb more than 1000 feet of parish right of way at a time ahead of cleanup and final dress. There shall not be more than 1000 feet of stockpiled material on parish right of way ahead of the area disturbed.
13. Any above ground installation, such as manholes, shall be installed level or flush with ground and in such a manner as not to be a safety hazard.
14. During final cleanup, the contractor shall have re-established a good stand of grass in the area disturbed by his construction and repair any potholes or damage to the surface, shoulder, ditches, or back slope to the specifications and approval of the Caddo Parish Department of Public Works.
15. The applicant shall furnish a copy of this permit to the contractor or any subcontractors that are making this installation, and the contractor or subcontractors shall have a copy of this permit at the job site at all times.

**PARISH OF CADDO
DEPARTMENT OF PUBLIC WORKS**

This instrument will serve as your receipt for your right of way permit fee of \$ 240
which is **nonrefundable**. This fee shall be paid by check to the Parish of Caddo.

Check # _____ Amount _____

Please read all provisions prior to signing this permit. Failure to conform to the provisions of this permit shall result in the revoking of said permit. By signing this permit, the applicant acknowledges receiving a copy of all [rules and regulations](#).

I hereby certify that the information given on this Right-of-Way permit application is true and correct to the best of my knowledge. I have not misrepresented the facts or willfully given erroneous information.

By accepting this permit, permittee, its successors and assigns warrant that its installation will conform to the conditions and requirements herein set forth in this permit.

Justin Ash _____
Applicant Date

Applicant must notify Caddo Parish Inspector at 318-347-3228 prior to beginning work and after work has been completed.

For Internal Use Only

Permit No. _____ Issue Date: _____

Expiration Date: _____

APPROVED:

Caddo Parish Right-of-Way Permit Specialist Date

Caddo Parish Assistant Director or Project Manager Date

PARISH OF CADDO
DEPARTMENT OF PUBLIC WORKS

2021



Right-of-Way Utilization Permit
Separate application for each road

**This permit shall be available at the site
where and when work is being done.**

Permit No. _____
Builder _____
Owner _____
Applicant _____
Internal Use Only

Date: _____

Business / Applicant's Name ("Permittee") _____

Applicant's Street Address _____

Applicant's City, State, Zip _____

_____/_____/_____
Township Range Section

Lancer Ln

Job/Site Location _____

Legal Description _____

Telephone Number _____

Email Address _____

Fax Number _____

TYPE OF PERMIT

_____ Culvert & or Driveway (See [Fee Schedule](#)) - *Mark with two flagged stakes in ditch*

Contractor/Builder: _____ License Number: _____

Contractor/Builder Address: _____ Phone Number: _____

Start of Construction: _____

_____ Utility/Pipeline/Boring (See [Fee Schedule](#))

Proposed Construction _____

Length in Parish Right-of-Way 2876 ft.

Road Number for Parish Road Crossings (being bored) 8

** Submit drawing & one copy of plans and specifications of the proposed construction.

** The permittee agrees to properly maintain the facilities installed pursuant hereto, to repair at its own expense any damage to the facilities caused by the parish or its agents, personnel or equipment during future work on the right of way or public property wherein the facilities are located, to relocate the facilities at its own expense if requested to do so by the Caddo Parish Department of Public Works, and to properly repair at its own expense any damage to the public right of way or property resulting from activities of the permittee in carrying out the maintenance or removal of said facilities.

RIGHT-OF-WAY PERMIT

PARISH OF CADDO PUBLIC WORKS DEPARTMENT

1. Installations within the highway right-of-way shall be in accordance with the applicable provisions contained in the following: ASHTO Guide for Accommodating Utilities within Highway Right of Way, code of Federal Regulations 23 (CFR 23), National Electrical Safety Code C2, and 1996 Federal Telecommunications Act. Those facilities not included in the above mentioned documents shall be in accordance with accepted practice. Where standards of the Department exceed those of the above cited codes, the standards of the Department shall apply. The Department reserves the right to modify its policies as may be required if conditions warrant.
2. The applicant agrees to defend, indemnify, and hold harmless the Department and its duly appointed agents and employees from and against any and all claims, suits, liabilities, losses, damages, costs or expenses, including attorneys' fees sustained by reason of the exercise of this permit, whether or not the same may have been caused by the negligence of the Department, its agents or employees, provided, however, that the provisions of this last clause (whether or not the same may have been caused by the negligence of the Department, its agents or employees) shall not apply to any personal injury or property damage caused by the sole negligence of the Department, its agents or employees, unless sole negligence shall consist or shall have consisted entirely and only of negligence in the granting of a project permit or project permits.
3. Any permit granted by the Department is subject to revocation at any time.
4. All materials and workmanship shall conform to the requirements of the applicable industry code and to Department specifications.
5. All excavations within the limits of the right-of-way shall be backfilled and tamped in six inch layers to the density of the adjacent undisturbed soil. Where sod is removed or destroyed, it shall be replaced. Where it is necessary to make excavations in the shoulder, the top six inches of backfill shall be sand-clay gravel or equivalent. Where existing spoil material is, at the discretion of the Department, unsuitable for backfill, select material shall be furnished in lieu thereof and the existing material disposed of by approved methods.
6. Protruding valves and other above ground appurtenances shall not be installed at any point within the right of way of the highway except for vents, markers, etc., which may be installed at the right-of-way line, unless specifically approved herein.
7. All lines parallel to the roadway shall be located within the back slope of the road ditch and have a minimum depth of 36" below the bottom of the present ditch
 1. Pipelines paralleling the highway:
 - a. Shall occupy the last few feet of the right-of-way back of the ditch except where upon showing of actual necessity a permit is issued for another location;
 - b. Shall have a minimum earth cover of thirty-six (36) inches;
 - c. Shall have a minimum clearance of thirty-six (36) inches below existing or proposed drainage structures, where possible.

RIGHT-OF-WAY PERMIT

8. It is understood and agreed that all lines crossing gravel or surfaced highways must be either bored or jacked under the highway and encased in a pipe of larger diameter extending from right of way line, and a minimum depth of 36" below the elevation of the bottom of the ditch.
 - a. Crossings shall be made at as nearly right angles to the highway as possible. No existing drainage structure under the highway may be used for this purpose.
 - (1) Construction methods used shall be in accordance with the following requirements:
 - Cutting the surface or tunneling under it is specifically prohibited.
 - Installation shall be made either by boring or jacking under and through the highway at least from ditch bottom to ditch bottom. In the absence of ditches, or along sections of highway with curb or gutter, boring or jacking shall extend beyond the outside edge of the traveled way to a point at least equal to three (3) times the vertical difference between the elevation of the roadway surfacing and the elevation of the top of the cable.

Where width of right-of-way is insufficient to enable compliance with this requirement or where it is necessary to make a connection to an existing parallel facility which precludes compliance, the distance shall be to the right of way line or the parallel facility. Any voids or over breaks resulting from this shall be backfilled with grout consisting of a cement mortar or a slurry of fine sand or clay, as conditions require. Excavating an open ditch to the edge of the pavement and boring and jacking the remainder of the distance is prohibited. Jacking and boring shall be done in accordance with Section 728 of the La. Standard Specifications for Roads and Bridges, latest edition.

9. Traffic control methods and devices for utility construction, maintenance, relocation, or removal shall conform to the specifications and provisions of the Manual on Uniform Traffic Control Devices for Streets and Highways. All construction and maintenance operations should be planned and conducted with full regard to safety and to keep interference to traffic to an absolute minimum. All safety precautions for the protection of the traveling public must be observed. Undue delay to traffic will not be tolerated. If pipe is stockpiled between the road ditch and the traveled surface, Type II barricades with flashers will be placed and maintained every 50 feet.
10. Care shall be taken in utility installation to avoid disturbing existing drainage facilities. Drainage in highway side and cross ditches must be maintained at all times. The entire highway right of way affected by work under a permit must be restored to as good a condition as existed prior to beginning work to the complete satisfaction of the Department of Public Works. In the event that there is a narrow right of way and it becomes necessary to install the utility in the ditch line or disturb the ditch in any way, the contractor shall establish drainage at the end of each day or work period.
11. It is a violation of La. R.S. 32:293, MOTOR VEHICLES-TRAFFIC REGULATIONS to leave dirt or mud on the roadway. The contractor shall clean up any mud or dirt left on roadway at the end of each day or work period.

RIGHT-OF-WAY PERMIT

12. The contractor, his successors or assigns, shall not disturb more than 1000 feet of parish right of way at a time ahead of cleanup and final dress. There shall not be more than 1000 feet of stockpiled material on parish right of way ahead of the area disturbed.
13. Any above ground installation, such as manholes, shall be installed level or flush with ground and in such a manner as not to be a safety hazard.
14. During final cleanup, the contractor shall have re-established a good stand of grass in the area disturbed by his construction and repair any potholes or damage to the surface, shoulder, ditches, or back slope to the specifications and approval of the Caddo Parish Department of Public Works.
15. The applicant shall furnish a copy of this permit to the contractor or any subcontractors that are making this installation, and the contractor or subcontractors shall have a copy of this permit at the job site at all times.

**PARISH OF CADDO
DEPARTMENT OF PUBLIC WORKS**

This instrument will serve as your receipt for your right of way permit fee of \$ 450
which is **nonrefundable**. This fee shall be paid by check to the Parish of Caddo.

Check # _____ Amount _____

Please read all provisions prior to signing this permit. Failure to conform to the provisions of this permit shall result in the revoking of said permit. By signing this permit, the applicant acknowledges receiving a copy of all [rules and regulations](#).

I hereby certify that the information given on this Right-of-Way permit application is true and correct to the best of my knowledge. I have not misrepresented the facts or willfully given erroneous information.

By accepting this permit, permittee, its successors and assigns warrant that its installation will conform to the conditions and requirements herein set forth in this permit.

Justin Ash _____
Applicant Date

Applicant must notify Caddo Parish Inspector at 318-347-3228 prior to beginning work and after work has been completed.

For Internal Use Only

Permit No. _____ Issue Date: _____

Expiration Date: _____

APPROVED:

Caddo Parish Right-of-Way Permit Specialist Date

Caddo Parish Assistant Director or Project Manager Date

PARISH OF CADDO
DEPARTMENT OF PUBLIC WORKS

2021



Right-of-Way Utilization Permit
Separate application for each road

**This permit shall be available at the site
where and when work is being done.**

Permit No. _____
Builder _____
Owner _____
Applicant _____
Internal Use Only

Date: _____

Business / Applicant's Name ("Permittee") _____

Applicant's Street Address _____

Applicant's City, State, Zip _____

_____/_____/_____
Township Range Section

Mustang Circle
Job/Site Location _____

Legal Description _____

Telephone Number _____

Email Address _____

Fax Number _____

TYPE OF PERMIT

_____ Culvert & or Driveway (See [Fee Schedule](#)) - *Mark with two flagged stakes in ditch*

Contractor/Builder: _____ License Number: _____

Contractor/Builder Address: _____ Phone Number: _____

Start of Construction: _____

_____ Utility/Pipeline/Boring (See [Fee Schedule](#))

Proposed Construction _____

Length in Parish Right-of-Way 4452 ft.

Road Number for Parish Road Crossings (being bored) 8

** Submit drawing & one copy of plans and specifications of the proposed construction.

** The permittee agrees to properly maintain the facilities installed pursuant hereto, to repair at its own expense any damage to the facilities caused by the parish or its agents, personnel or equipment during future work on the right of way or public property wherein the facilities are located, to relocate the facilities at its own expense if requested to do so by the Caddo Parish Department of Public Works, and to properly repair at its own expense any damage to the public right of way or property resulting from activities of the permittee in carrying out the maintenance or removal of said facilities.

RIGHT-OF-WAY PERMIT

PARISH OF CADDO PUBLIC WORKS DEPARTMENT

1. Installations within the highway right-of-way shall be in accordance with the applicable provisions contained in the following: ASHTO Guide for Accommodating Utilities within Highway Right of Way, code of Federal Regulations 23 (CFR 23), National Electrical Safety Code C2, and 1996 Federal Telecommunications Act. Those facilities not included in the above mentioned documents shall be in accordance with accepted practice. Where standards of the Department exceed those of the above cited codes, the standards of the Department shall apply. The Department reserves the right to modify its policies as may be required if conditions warrant.
2. The applicant agrees to defend, indemnify, and hold harmless the Department and its duly appointed agents and employees from and against any and all claims, suits, liabilities, losses, damages, costs or expenses, including attorneys' fees sustained by reason of the exercise of this permit, whether or not the same may have been caused by the negligence of the Department, its agents or employees, provided, however, that the provisions of this last clause (whether or not the same may have been caused by the negligence of the Department, its agents or employees) shall not apply to any personal injury or property damage caused by the sole negligence of the Department, its agents or employees, unless sole negligence shall consist or shall have consisted entirely and only of negligence in the granting of a project permit or project permits.
3. Any permit granted by the Department is subject to revocation at any time.
4. All materials and workmanship shall conform to the requirements of the applicable industry code and to Department specifications.
5. All excavations within the limits of the right-of-way shall be backfilled and tamped in six inch layers to the density of the adjacent undisturbed soil. Where sod is removed or destroyed, it shall be replaced. Where it is necessary to make excavations in the shoulder, the top six inches of backfill shall be sand-clay gravel or equivalent. Where existing spoil material is, at the discretion of the Department, unsuitable for backfill, select material shall be furnished in lieu thereof and the existing material disposed of by approved methods.
6. Protruding valves and other above ground appurtenances shall not be installed at any point within the right of way of the highway except for vents, markers, etc., which may be installed at the right-of-way line, unless specifically approved herein.
7. All lines parallel to the roadway shall be located within the back slope of the road ditch and have a minimum depth of 36" below the bottom of the present ditch
 1. Pipelines paralleling the highway:
 - a. Shall occupy the last few feet of the right-of-way back of the ditch except where upon showing of actual necessity a permit is issued for another location;
 - b. Shall have a minimum earth cover of thirty-six (36) inches;
 - c. Shall have a minimum clearance of thirty-six (36) inches below existing or proposed drainage structures, where possible.

RIGHT-OF-WAY PERMIT

8. It is understood and agreed that all lines crossing gravel or surfaced highways must be either bored or jacked under the highway and encased in a pipe of larger diameter extending from right of way line, and a minimum depth of 36" below the elevation of the bottom of the ditch.
 - a. Crossings shall be made at as nearly right angles to the highway as possible. No existing drainage structure under the highway may be used for this purpose.
 - (1) Construction methods used shall be in accordance with the following requirements:
 - Cutting the surface or tunneling under it is specifically prohibited.
 - Installation shall be made either by boring or jacking under and through the highway at least from ditch bottom to ditch bottom. In the absence of ditches, or along sections of highway with curb or gutter, boring or jacking shall extend beyond the outside edge of the traveled way to a point at least equal to three (3) times the vertical difference between the elevation of the roadway surfacing and the elevation of the top of the cable.

Where width of right-of-way is insufficient to enable compliance with this requirement or where it is necessary to make a connection to an existing parallel facility which precludes compliance, the distance shall be to the right of way line or the parallel facility. Any voids or over breaks resulting from this shall be backfilled with grout consisting of a cement mortar or a slurry of fine sand or clay, as conditions require. Excavating an open ditch to the edge of the pavement and boring and jacking the remainder of the distance is prohibited. Jacking and boring shall be done in accordance with Section 728 of the La. Standard Specifications for Roads and Bridges, latest edition.

9. Traffic control methods and devices for utility construction, maintenance, relocation, or removal shall conform to the specifications and provisions of the Manual on Uniform Traffic Control Devices for Streets and Highways. All construction and maintenance operations should be planned and conducted with full regard to safety and to keep interference to traffic to an absolute minimum. All safety precautions for the protection of the traveling public must be observed. Undue delay to traffic will not be tolerated. If pipe is stockpiled between the road ditch and the traveled surface, Type II barricades with flashers will be placed and maintained every 50 feet.
10. Care shall be taken in utility installation to avoid disturbing existing drainage facilities. Drainage in highway side and cross ditches must be maintained at all times. The entire highway right of way affected by work under a permit must be restored to as good a condition as existed prior to beginning work to the complete satisfaction of the Department of Public Works. In the event that there is a narrow right of way and it becomes necessary to install the utility in the ditch line or disturb the ditch in any way, the contractor shall establish drainage at the end of each day or work period.
11. It is a violation of La. R.S. 32:293, MOTOR VEHICLES-TRAFFIC REGULATIONS to leave dirt or mud on the roadway. The contractor shall clean up any mud or dirt left on roadway at the end of each day or work period.

RIGHT-OF-WAY PERMIT

12. The contractor, his successors or assigns, shall not disturb more than 1000 feet of parish right of way at a time ahead of cleanup and final dress. There shall not be more than 1000 feet of stockpiled material on parish right of way ahead of the area disturbed.
13. Any above ground installation, such as manholes, shall be installed level or flush with ground and in such a manner as not to be a safety hazard.
14. During final cleanup, the contractor shall have re-established a good stand of grass in the area disturbed by his construction and repair any potholes or damage to the surface, shoulder, ditches, or back slope to the specifications and approval of the Caddo Parish Department of Public Works.
15. The applicant shall furnish a copy of this permit to the contractor or any subcontractors that are making this installation, and the contractor or subcontractors shall have a copy of this permit at the job site at all times.

**PARISH OF CADDO
DEPARTMENT OF PUBLIC WORKS**

This instrument will serve as your receipt for your right of way permit fee of \$ 610
which is **nonrefundable**. This fee shall be paid by check to the Parish of Caddo.

Check # _____ Amount _____

Please read all provisions prior to signing this permit. Failure to conform to the provisions of this permit shall result in the revoking of said permit. By signing this permit, the applicant acknowledges receiving a copy of all [rules and regulations](#).

I hereby certify that the information given on this Right-of-Way permit application is true and correct to the best of my knowledge. I have not misrepresented the facts or willfully given erroneous information.

By accepting this permit, permittee, its successors and assigns warrant that its installation will conform to the conditions and requirements herein set forth in this permit.

Justin Ash _____
Applicant Date

Applicant must notify Caddo Parish Inspector at 318-347-3228 prior to beginning work and after work has been completed.

For Internal Use Only

Permit No. _____ Issue Date: _____

Expiration Date: _____

APPROVED:

Caddo Parish Right-of-Way Permit Specialist Date

Caddo Parish Assistant Director or Project Manager Date

PARISH OF CADDO
DEPARTMENT OF PUBLIC WORKS

2021



Right-of-Way Utilization Permit
Separate application for each road

**This permit shall be available at the site
where and when work is being done.**

Permit No. _____
Builder _____
Owner _____
Applicant _____
Internal Use Only

Date: _____

Business / Applicant's Name ("Permittee") _____

Applicant's Street Address _____

Applicant's City, State, Zip _____

_____/_____/_____
Township Range Section

Rabbit Ridge
Job/Site Location _____

Legal Description _____

Telephone Number _____

Email Address _____

Fax Number _____

TYPE OF PERMIT

_____ Culvert & or Driveway (See [Fee Schedule](#)) - *Mark with two flagged stakes in ditch*

Contractor/Builder: _____ License Number: _____

Contractor/Builder Address: _____ Phone Number: _____

Start of Construction: _____

_____ Utility/Pipeline/Boring (See [Fee Schedule](#))

Proposed Construction _____

Length in Parish Right-of-Way 3700 ft.

Road Number for Parish Road Crossings (being bored) 7

** Submit drawing & one copy of plans and specifications of the proposed construction.

** The permittee agrees to properly maintain the facilities installed pursuant hereto, to repair at its own expense any damage to the facilities caused by the parish or its agents, personnel or equipment during future work on the right of way or public property wherein the facilities are located, to relocate the facilities at its own expense if requested to do so by the Caddo Parish Department of Public Works, and to properly repair at its own expense any damage to the public right of way or property resulting from activities of the permittee in carrying out the maintenance or removal of said facilities.

RIGHT-OF-WAY PERMIT

PARISH OF CADDO PUBLIC WORKS DEPARTMENT

1. Installations within the highway right-of-way shall be in accordance with the applicable provisions contained in the following: ASHTO Guide for Accommodating Utilities within Highway Right of Way, code of Federal Regulations 23 (CFR 23), National Electrical Safety Code C2, and 1996 Federal Telecommunications Act. Those facilities not included in the above mentioned documents shall be in accordance with accepted practice. Where standards of the Department exceed those of the above cited codes, the standards of the Department shall apply. The Department reserves the right to modify its policies as may be required if conditions warrant.
2. The applicant agrees to defend, indemnify, and hold harmless the Department and its duly appointed agents and employees from and against any and all claims, suits, liabilities, losses, damages, costs or expenses, including attorneys' fees sustained by reason of the exercise of this permit, whether or not the same may have been caused by the negligence of the Department, its agents or employees, provided, however, that the provisions of this last clause (whether or not the same may have been caused by the negligence of the Department, its agents or employees) shall not apply to any personal injury or property damage caused by the sole negligence of the Department, its agents or employees, unless sole negligence shall consist or shall have consisted entirely and only of negligence in the granting of a project permit or project permits.
3. Any permit granted by the Department is subject to revocation at any time.
4. All materials and workmanship shall conform to the requirements of the applicable industry code and to Department specifications.
5. All excavations within the limits of the right-of-way shall be backfilled and tamped in six inch layers to the density of the adjacent undisturbed soil. Where sod is removed or destroyed, it shall be replaced. Where it is necessary to make excavations in the shoulder, the top six inches of backfill shall be sand-clay gravel or equivalent. Where existing spoil material is, at the discretion of the Department, unsuitable for backfill, select material shall be furnished in lieu thereof and the existing material disposed of by approved methods.
6. Protruding valves and other above ground appurtenances shall not be installed at any point within the right of way of the highway except for vents, markers, etc., which may be installed at the right-of-way line, unless specifically approved herein.
7. All lines parallel to the roadway shall be located within the back slope of the road ditch and have a minimum depth of 36" below the bottom of the present ditch
 1. Pipelines paralleling the highway:
 - a. Shall occupy the last few feet of the right-of-way back of the ditch except where upon showing of actual necessity a permit is issued for another location;
 - b. Shall have a minimum earth cover of thirty-six (36) inches;
 - c. Shall have a minimum clearance of thirty-six (36) inches below existing or proposed drainage structures, where possible.

RIGHT-OF-WAY PERMIT

8. It is understood and agreed that all lines crossing gravel or surfaced highways must be either bored or jacked under the highway and encased in a pipe of larger diameter extending from right of way line, and a minimum depth of 36" below the elevation of the bottom of the ditch.
 - a. Crossings shall be made at as nearly right angles to the highway as possible. No existing drainage structure under the highway may be used for this purpose.
 - (1) Construction methods used shall be in accordance with the following requirements:
 - Cutting the surface or tunneling under it is specifically prohibited.
 - Installation shall be made either by boring or jacking under and through the highway at least from ditch bottom to ditch bottom. In the absence of ditches, or along sections of highway with curb or gutter, boring or jacking shall extend beyond the outside edge of the traveled way to a point at least equal to three (3) times the vertical difference between the elevation of the roadway surfacing and the elevation of the top of the cable.

Where width of right-of-way is insufficient to enable compliance with this requirement or where it is necessary to make a connection to an existing parallel facility which precludes compliance, the distance shall be to the right of way line or the parallel facility. Any voids or over breaks resulting from this shall be backfilled with grout consisting of a cement mortar or a slurry of fine sand or clay, as conditions require. Excavating an open ditch to the edge of the pavement and boring and jacking the remainder of the distance is prohibited. Jacking and boring shall be done in accordance with Section 728 of the La. Standard Specifications for Roads and Bridges, latest edition.

9. Traffic control methods and devices for utility construction, maintenance, relocation, or removal shall conform to the specifications and provisions of the Manual on Uniform Traffic Control Devices for Streets and Highways. All construction and maintenance operations should be planned and conducted with full regard to safety and to keep interference to traffic to an absolute minimum. All safety precautions for the protection of the traveling public must be observed. Undue delay to traffic will not be tolerated. If pipe is stockpiled between the road ditch and the traveled surface, Type II barricades with flashers will be placed and maintained every 50 feet.
10. Care shall be taken in utility installation to avoid disturbing existing drainage facilities. Drainage in highway side and cross ditches must be maintained at all times. The entire highway right of way affected by work under a permit must be restored to as good a condition as existed prior to beginning work to the complete satisfaction of the Department of Public Works. In the event that there is a narrow right of way and it becomes necessary to install the utility in the ditch line or disturb the ditch in any way, the contractor shall establish drainage at the end of each day or work period.
11. It is a violation of La. R.S. 32:293, MOTOR VEHICLES-TRAFFIC REGULATIONS to leave dirt or mud on the roadway. The contractor shall clean up any mud or dirt left on roadway at the end of each day or work period.

RIGHT-OF-WAY PERMIT

12. The contractor, his successors or assigns, shall not disturb more than 1000 feet of parish right of way at a time ahead of cleanup and final dress. There shall not be more than 1000 feet of stockpiled material on parish right of way ahead of the area disturbed.
13. Any above ground installation, such as manholes, shall be installed level or flush with ground and in such a manner as not to be a safety hazard.
14. During final cleanup, the contractor shall have re-established a good stand of grass in the area disturbed by his construction and repair any potholes or damage to the surface, shoulder, ditches, or back slope to the specifications and approval of the Caddo Parish Department of Public Works.
15. The applicant shall furnish a copy of this permit to the contractor or any subcontractors that are making this installation, and the contractor or subcontractors shall have a copy of this permit at the job site at all times.

**PARISH OF CADDO
DEPARTMENT OF PUBLIC WORKS**

This instrument will serve as your receipt for your right of way permit fee of \$ 510
which is **nonrefundable**. This fee shall be paid by check to the Parish of Caddo.

Check # _____ Amount _____

Please read all provisions prior to signing this permit. Failure to conform to the provisions of this permit shall result in the revoking of said permit. By signing this permit, the applicant acknowledges receiving a copy of all [rules and regulations](#).

I hereby certify that the information given on this Right-of-Way permit application is true and correct to the best of my knowledge. I have not misrepresented the facts or willfully given erroneous information.

By accepting this permit, permittee, its successors and assigns warrant that its installation will conform to the conditions and requirements herein set forth in this permit.

Applicant *Justin Ash* Date

Applicant must notify Caddo Parish Inspector at 318-347-3228 prior to beginning work and after work has been completed.

For Internal Use Only

Permit No. _____ Issue Date: _____

Expiration Date: _____

APPROVED:

Caddo Parish Right-of-Way Permit Specialist Date

Caddo Parish Assistant Director or Project Manager Date

PARISH OF CADDO
DEPARTMENT OF PUBLIC WORKS

2021



Right-of-Way Utilization Permit
Separate application for each road

**This permit shall be available at the site
where and when work is being done.**

Permit No. _____
Builder _____
Owner _____
Applicant _____
Internal Use Only

Date: _____

Business / Applicant's Name ("Permittee") _____

_____/_____/_____
Township Range Section

Applicant's Street Address _____

Stage Coach Rd
Job/Site Location _____

Applicant's City, State, Zip _____

Legal Description _____

Telephone Number _____

Email Address _____

Fax Number _____

TYPE OF PERMIT

_____ Culvert & or Driveway (See [Fee Schedule](#)) - *Mark with two flagged stakes in ditch*

Contractor/Builder: _____ License Number: _____

Contractor/Builder Address: _____ Phone Number: _____

Start of Construction: _____

_____ Utility/Pipeline/Boring (See [Fee Schedule](#))

Proposed Construction _____

Length in Parish Right-of-Way 2934 ft.

Road Number for Parish Road Crossings (being bored) 6

** Submit drawing & one copy of plans and specifications of the proposed construction.

** The permittee agrees to properly maintain the facilities installed pursuant hereto, to repair at its own expense any damage to the facilities caused by the parish or its agents, personnel or equipment during future work on the right of way or public property wherein the facilities are located, to relocate the facilities at its own expense if requested to do so by the Caddo Parish Department of Public Works, and to properly repair at its own expense any damage to the public right of way or property resulting from activities of the permittee in carrying out the maintenance or removal of said facilities.

RIGHT-OF-WAY PERMIT

PARISH OF CADDO PUBLIC WORKS DEPARTMENT

1. Installations within the highway right-of-way shall be in accordance with the applicable provisions contained in the following: ASHTO Guide for Accommodating Utilities within Highway Right of Way, code of Federal Regulations 23 (CFR 23), National Electrical Safety Code C2, and 1996 Federal Telecommunications Act. Those facilities not included in the above mentioned documents shall be in accordance with accepted practice. Where standards of the Department exceed those of the above cited codes, the standards of the Department shall apply. The Department reserves the right to modify its policies as may be required if conditions warrant.
2. The applicant agrees to defend, indemnify, and hold harmless the Department and its duly appointed agents and employees from and against any and all claims, suits, liabilities, losses, damages, costs or expenses, including attorneys' fees sustained by reason of the exercise of this permit, whether or not the same may have been caused by the negligence of the Department, its agents or employees, provided, however, that the provisions of this last clause (whether or not the same may have been caused by the negligence of the Department, its agents or employees) shall not apply to any personal injury or property damage caused by the sole negligence of the Department, its agents or employees, unless sole negligence shall consist or shall have consisted entirely and only of negligence in the granting of a project permit or project permits.
3. Any permit granted by the Department is subject to revocation at any time.
4. All materials and workmanship shall conform to the requirements of the applicable industry code and to Department specifications.
5. All excavations within the limits of the right-of-way shall be backfilled and tamped in six inch layers to the density of the adjacent undisturbed soil. Where sod is removed or destroyed, it shall be replaced. Where it is necessary to make excavations in the shoulder, the top six inches of backfill shall be sand-clay gravel or equivalent. Where existing spoil material is, at the discretion of the Department, unsuitable for backfill, select material shall be furnished in lieu thereof and the existing material disposed of by approved methods.
6. Protruding valves and other above ground appurtenances shall not be installed at any point within the right of way of the highway except for vents, markers, etc., which may be installed at the right-of-way line, unless specifically approved herein.
7. All lines parallel to the roadway shall be located within the back slope of the road ditch and have a minimum depth of 36" below the bottom of the present ditch
 1. Pipelines paralleling the highway:
 - a. Shall occupy the last few feet of the right-of-way back of the ditch except where upon showing of actual necessity a permit is issued for another location;
 - b. Shall have a minimum earth cover of thirty-six (36) inches;
 - c. Shall have a minimum clearance of thirty-six (36) inches below existing or proposed drainage structures, where possible.

RIGHT-OF-WAY PERMIT

8. It is understood and agreed that all lines crossing gravel or surfaced highways must be either bored or jacked under the highway and encased in a pipe of larger diameter extending from right of way line, and a minimum depth of 36" below the elevation of the bottom of the ditch.
 - a. Crossings shall be made at as nearly right angles to the highway as possible. No existing drainage structure under the highway may be used for this purpose.
 - (1) Construction methods used shall be in accordance with the following requirements:
 - Cutting the surface or tunneling under it is specifically prohibited.
 - Installation shall be made either by boring or jacking under and through the highway at least from ditch bottom to ditch bottom. In the absence of ditches, or along sections of highway with curb or gutter, boring or jacking shall extend beyond the outside edge of the traveled way to a point at least equal to three (3) times the vertical difference between the elevation of the roadway surfacing and the elevation of the top of the cable.

Where width of right-of-way is insufficient to enable compliance with this requirement or where it is necessary to make a connection to an existing parallel facility which precludes compliance, the distance shall be to the right of way line or the parallel facility. Any voids or over breaks resulting from this shall be backfilled with grout consisting of a cement mortar or a slurry of fine sand or clay, as conditions require. Excavating an open ditch to the edge of the pavement and boring and jacking the remainder of the distance is prohibited. Jacking and boring shall be done in accordance with Section 728 of the La. Standard Specifications for Roads and Bridges, latest edition.

9. Traffic control methods and devices for utility construction, maintenance, relocation, or removal shall conform to the specifications and provisions of the Manual on Uniform Traffic Control Devices for Streets and Highways. All construction and maintenance operations should be planned and conducted with full regard to safety and to keep interference to traffic to an absolute minimum. All safety precautions for the protection of the traveling public must be observed. Undue delay to traffic will not be tolerated. If pipe is stockpiled between the road ditch and the traveled surface, Type II barricades with flashers will be placed and maintained every 50 feet.
10. Care shall be taken in utility installation to avoid disturbing existing drainage facilities. Drainage in highway side and cross ditches must be maintained at all times. The entire highway right of way affected by work under a permit must be restored to as good a condition as existed prior to beginning work to the complete satisfaction of the Department of Public Works. In the event that there is a narrow right of way and it becomes necessary to install the utility in the ditch line or disturb the ditch in any way, the contractor shall establish drainage at the end of each day or work period.
11. It is a violation of La. R.S. 32:293, MOTOR VEHICLES-TRAFFIC REGULATIONS to leave dirt or mud on the roadway. The contractor shall clean up any mud or dirt left on roadway at the end of each day or work period.

RIGHT-OF-WAY PERMIT

12. The contractor, his successors or assigns, shall not disturb more than 1000 feet of parish right of way at a time ahead of cleanup and final dress. There shall not be more than 1000 feet of stockpiled material on parish right of way ahead of the area disturbed.
13. Any above ground installation, such as manholes, shall be installed level or flush with ground and in such a manner as not to be a safety hazard.
14. During final cleanup, the contractor shall have re-established a good stand of grass in the area disturbed by his construction and repair any potholes or damage to the surface, shoulder, ditches, or back slope to the specifications and approval of the Caddo Parish Department of Public Works.
15. The applicant shall furnish a copy of this permit to the contractor or any subcontractors that are making this installation, and the contractor or subcontractors shall have a copy of this permit at the job site at all times.

**PARISH OF CADDO
DEPARTMENT OF PUBLIC WORKS**

This instrument will serve as your receipt for your right of way permit fee of \$ 420
which is **nonrefundable**. This fee shall be paid by check to the Parish of Caddo.

Check # _____ Amount _____

Please read all provisions prior to signing this permit. Failure to conform to the provisions of this permit shall result in the revoking of said permit. By signing this permit, the applicant acknowledges receiving a copy of all [rules and regulations](#).

I hereby certify that the information given on this Right-of-Way permit application is true and correct to the best of my knowledge. I have not misrepresented the facts or willfully given erroneous information.

By accepting this permit, permittee, its successors and assigns warrant that its installation will conform to the conditions and requirements herein set forth in this permit.

Justin Ash _____
Applicant Date

Applicant must notify Caddo Parish Inspector at 318-347-3228 prior to beginning work and after work has been completed.

For Internal Use Only

Permit No. _____ Issue Date: _____

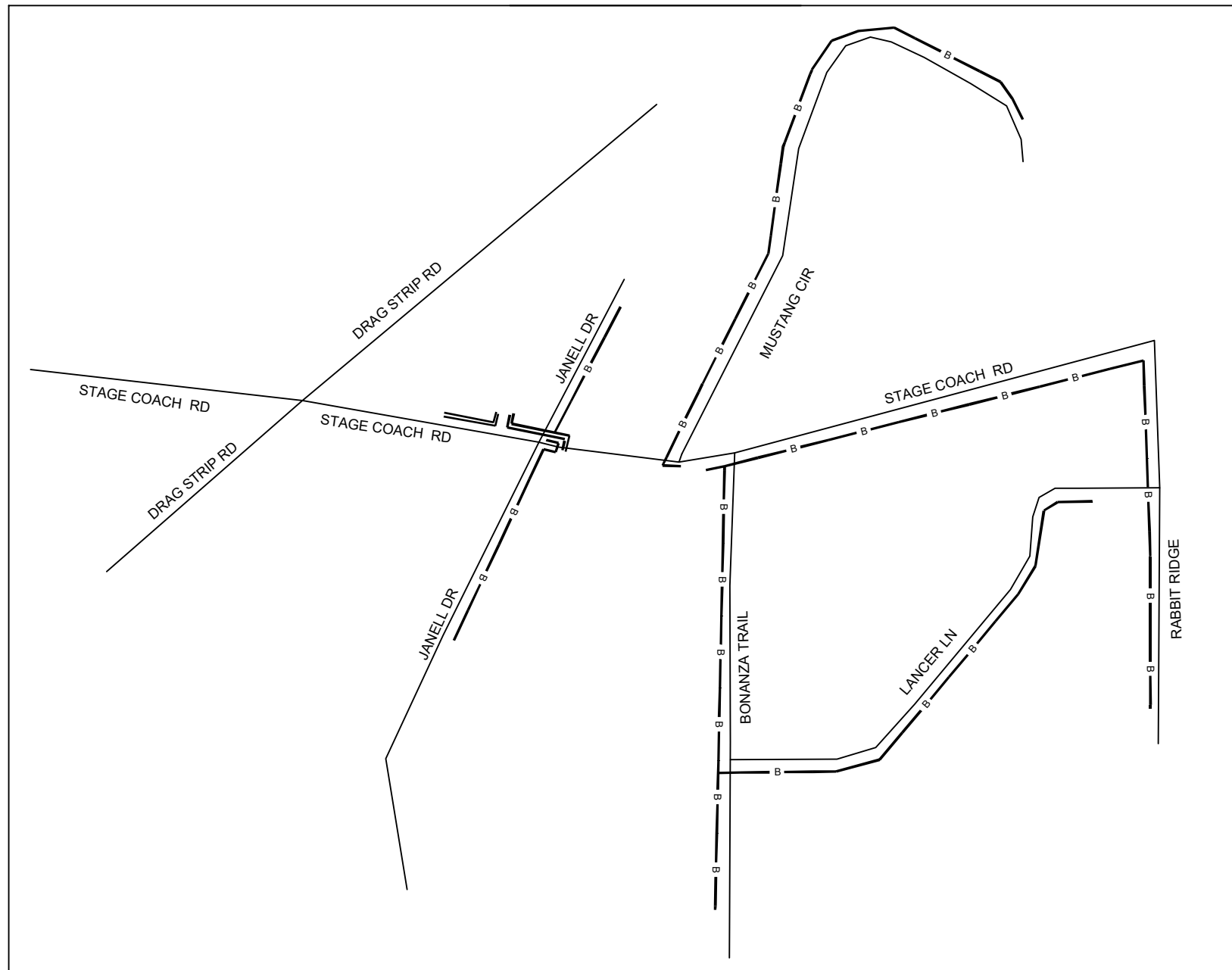
Expiration Date: _____

APPROVED:

Caddo Parish Right-of-Way Permit Specialist Date

Caddo Parish Assistant Director or Project Manager Date

VICINITY MAP



SCOPE OF WORK:

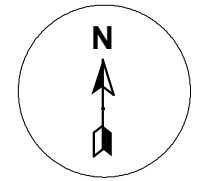
AT&T PROPOSES PLACING APPROXIMATELY 13649' OF BURIED FIBER CABLE AND 4109' OF INNERDUCT VIA DIRECTIONAL BORE. BORE DEPTH 36" MINIMUM ALONG ROW AND 60" MINIMUM UNDER ROADWAYS.

- 1 - 4IN FLEX PIPE - 337'
- 75 HANDHOLES 10"X15"
- 6 HANDHOLES 17"X30"X24"
- 6 HANDHOLES 30"X48"

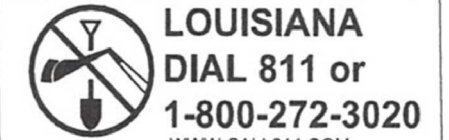
HANDHOLES WILL BE INSTALLED FLUSH WITH GROUND LEVELS.

SYMBOL LEGEND

Proposed	Existing	Description
	N/A	BURIED CABLE
	N/A	INNERDUCT
	N/A	BORE
		HANDHOLE
N/A		AT&T POLE
N/A		CULVERT
N/A		RAILWAY TRACK



CALL BEFORE YOU DIG



TWO FULL BUS. DAYS BEFORE YOU DIG

IT IS THE CONTRACTORS RESPONSIBILITY TO CONTACT UTILITY PRIOR TO ANY CONSTRUCTION AS THE LOCATION OF UTILITIES SHOWN ON THIS PLAT ARE APPROXIMATE AND POSSIBLY INCOMPLETE. THEREFORE CERTIFICATION TO THE LOCATION OF ALL UNDERGROUND UTILITIES IS WITHHELD.

CAUTION

Volts to Ground
301V to 15KV

BORE DEPTH 36" MINIMUM

DRAWING NOT TO SCALE

ADDRESS: 3090 STAGE COACH RD

PARISH: CADDO

PROJECT# A02TJW0 DATE SVC REQ'D 01/31/2025

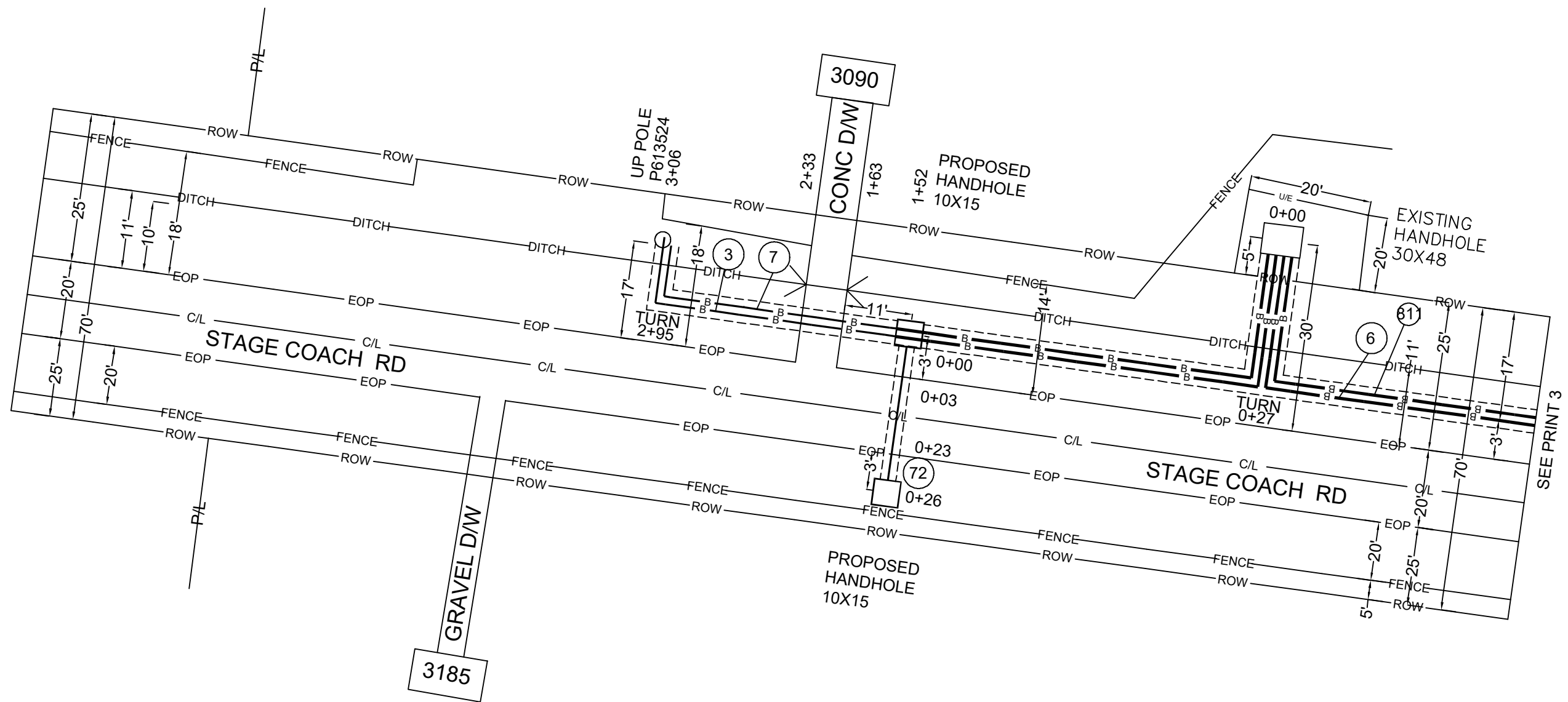
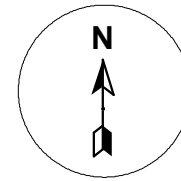
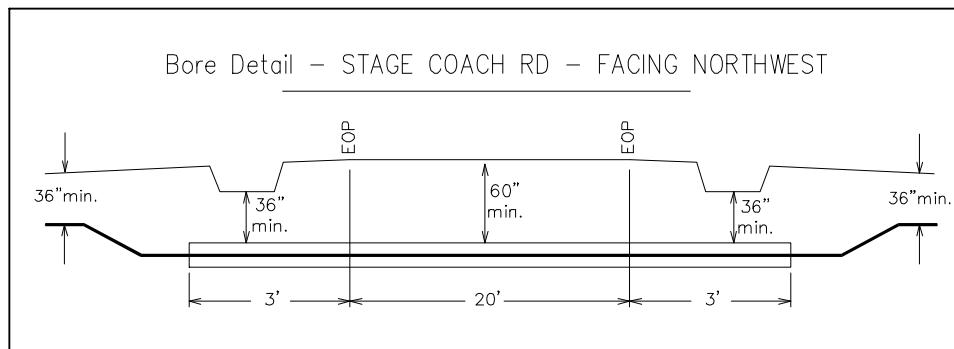
NPANNX 318925 GEO LOC K4526 CLLI ktvllama

PRIMARY ENGR: JUSTIN ASH

ENGR.ID: JA877K

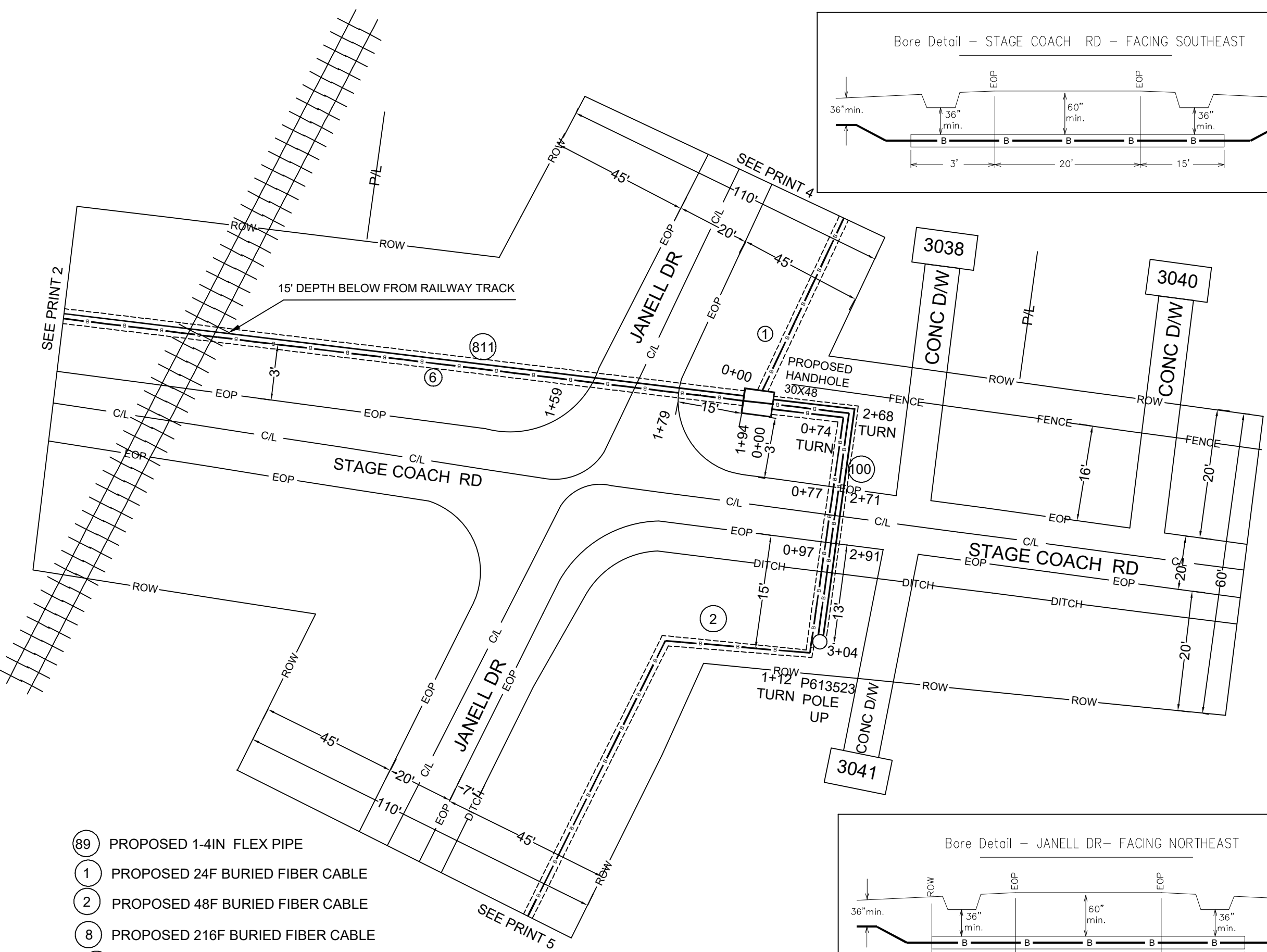
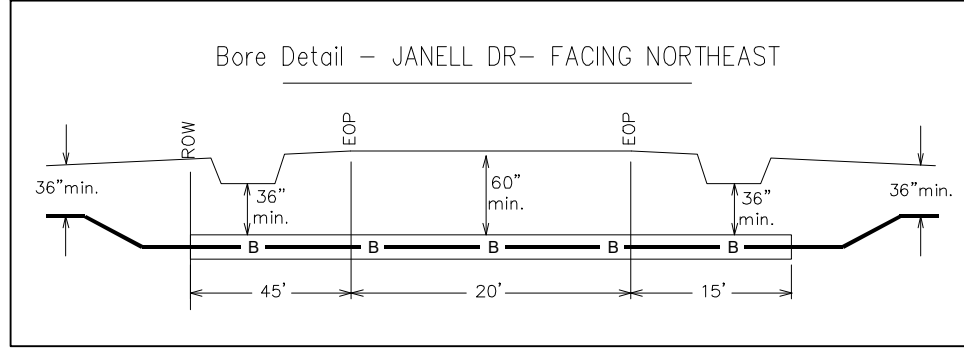
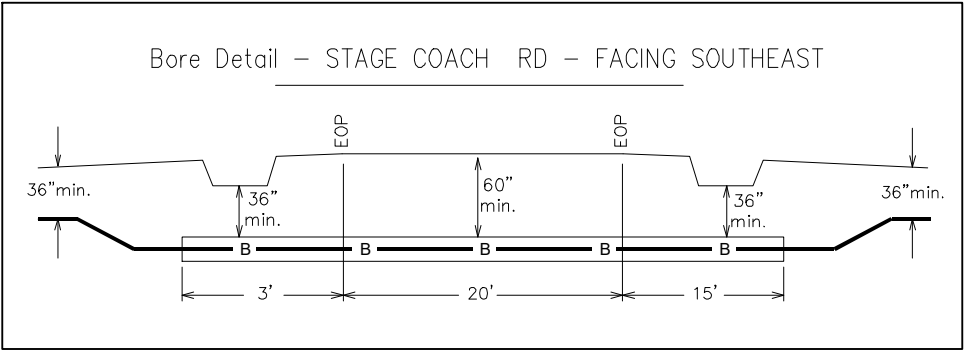
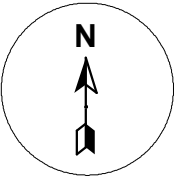
PHONE #: 225-489-4528 PRINT: 1 OF 26

- 811 PROPOSED 1-4IN FLEX PIPE
- 3 PROPOSED 216F BURIED FIBER CABLE
- 7 PROPOSED 144F BURIED FIBER CABLE
- 8 PROPOSED 216F BURIED FIBER CABLE
- 72 26' PROPOSED INNERDUCT-1.5



BORE DEPTH 36" MINIMUM
DRAWING NOT TO SCALE

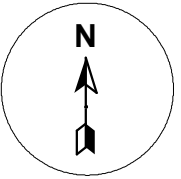
ADDRESS: 3090 STAGE COACH RD		
PARISH: CADDO		
PROJECT# A02TJWO	DATE SVC REQ'D 01/31/2025	
NPANNX 318925	GEO LOC K4526	CLLI ktvllama
PRIMARY ENGR: JUSTIN ASH		
ENGR.ID: JA877K		
PHONE#: 225-489-4528	PRINT: 2 OF 26	



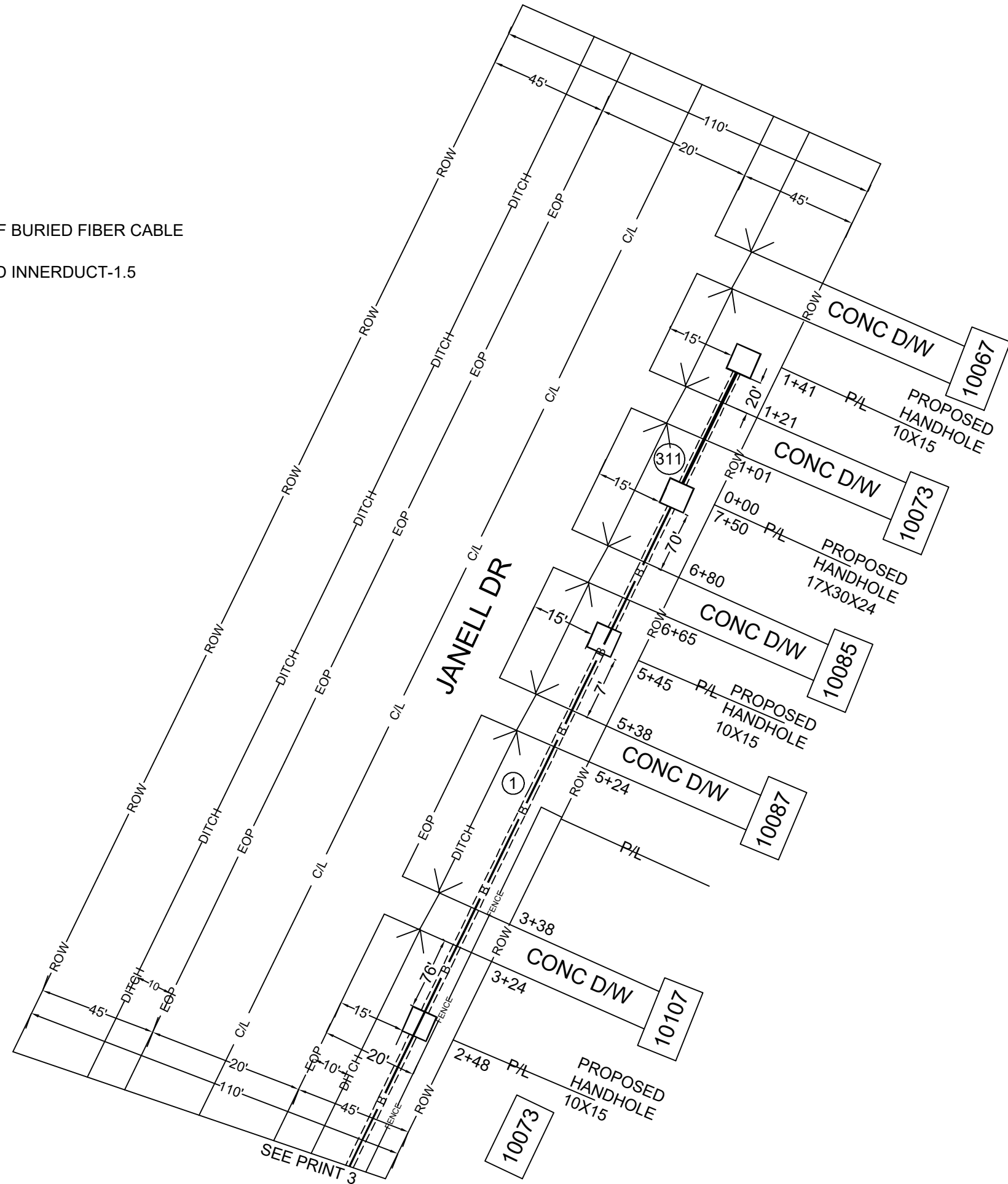
- 89 PROPOSED 1-4IN FLEX PIPE
- 1 PROPOSED 24F BURIED FIBER CABLE
- 2 PROPOSED 48F BURIED FIBER CABLE
- 8 PROPOSED 216F BURIED FIBER CABLE
- 811 PROPOSED 1-4IN FLEX PIPE

BORE DEPTH 36" MINIMUM
DRAWING NOT TO SCALE

ADDRESS: 3040 STAGE COACH RD		
PARISH: CADDO		
PROJECT# A02TJW0	DATE SVC REQ'D 01/31/2025	
NPANNX 318925	GEO LOC K4526	CLLI ktvllama
PRIMARY ENGR: JUSTIN ASH		
ENGR.ID: JA877K		
PHONE#: 225-489-4528	PRINT: 3 OF 26	

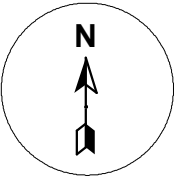


- ① PROPOSED 24F BURIED FIBER CABLE
- ③11 141' PROPOSED INNERDUCT-1.5

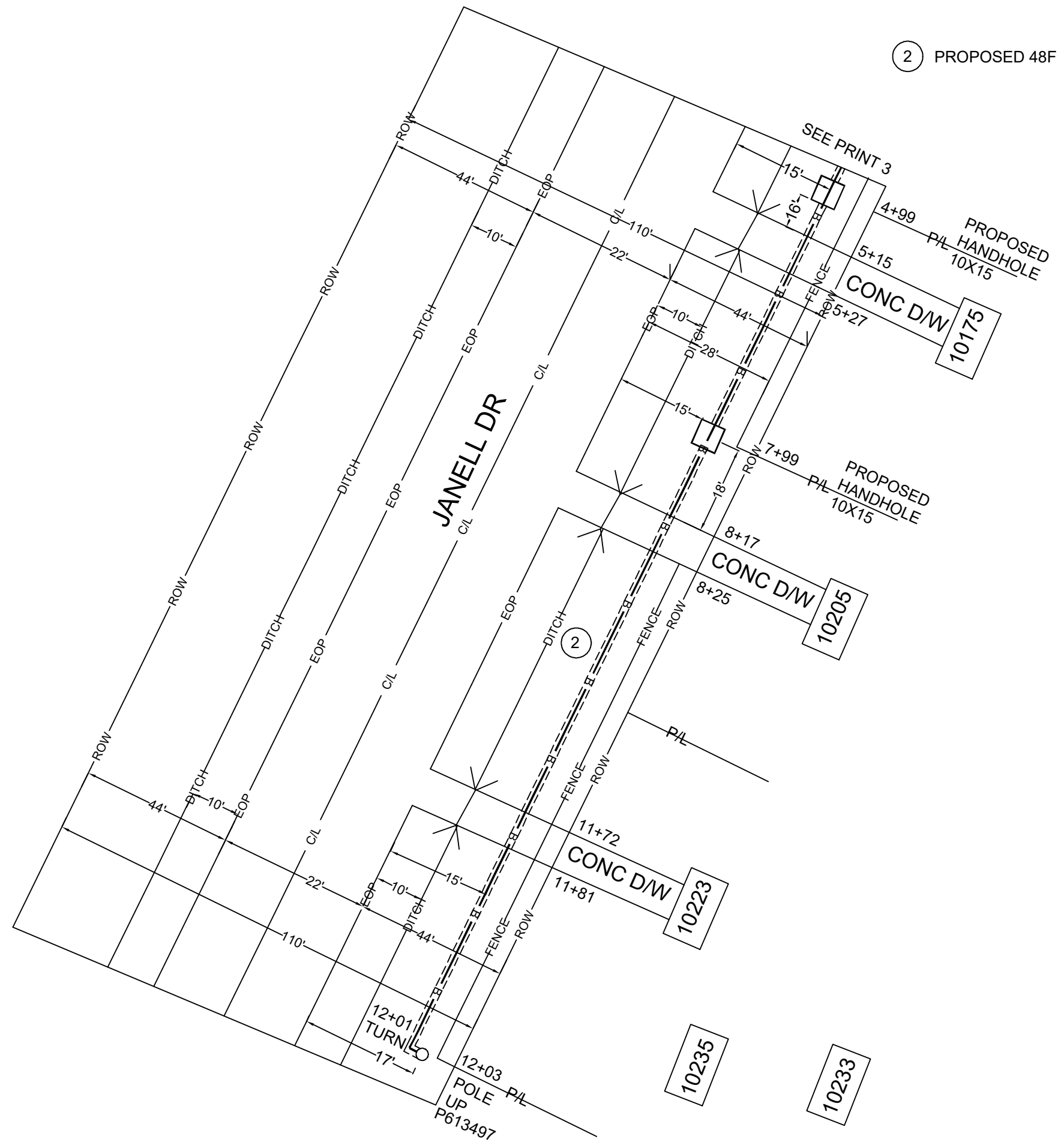


BORE DEPTH 36" MINIMUM
DRAWING NOT TO SCALE

ADDRESS: 10073 JANELL DR		
PARISH: CADDO		
PROJECT# A02TJW0	DATE SVC REQ'D 01/31/2025	
NPANNX 318925	GEO LOC K4526	CLLI ktvllama
PRIMARY ENGR: JUSTIN ASH		
ENGR.ID: JA877K		
PHONE#: 225-489-4528	PRINT: 4 OF 26	

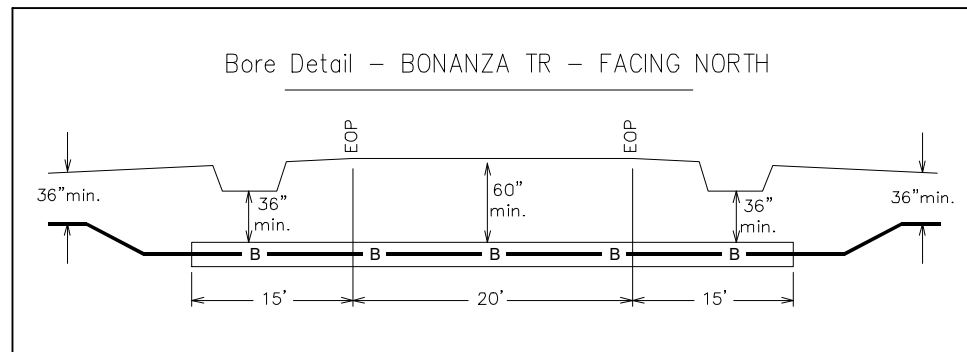
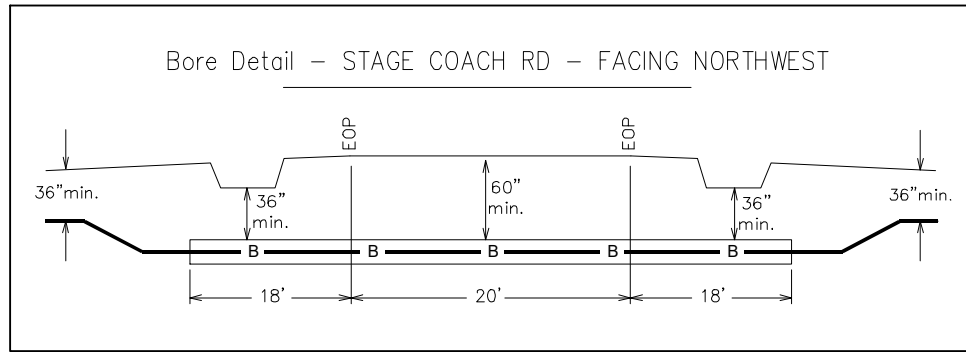
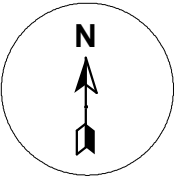


2 PROPOSED 48F BURIED FIBER CABLE

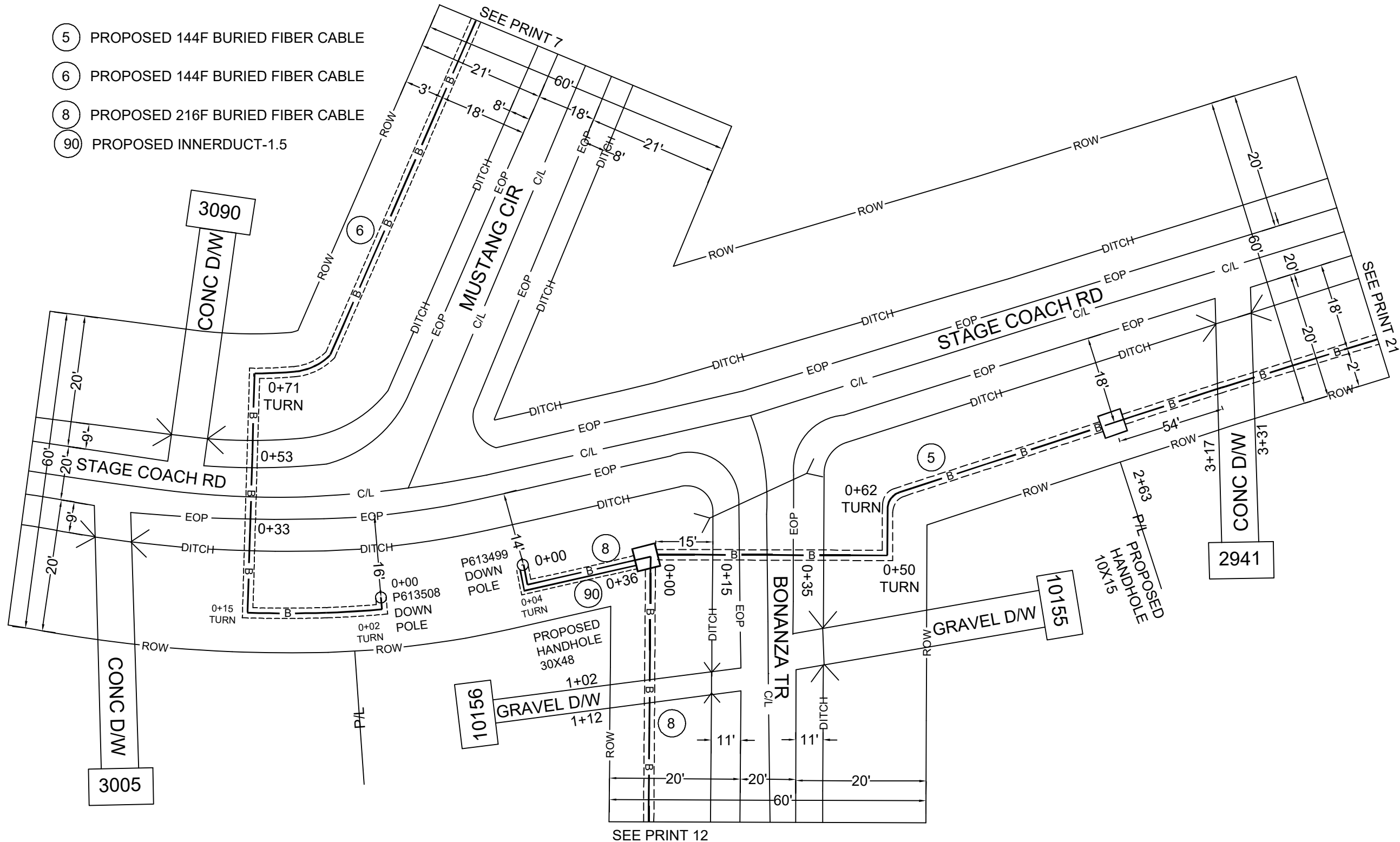


BORE DEPTH 36" MINIMUM
DRAWING NOT TO SCALE

ADDRESS: 10205 JANELL DR		
PARISH: CADDO		
PROJECT# A02TJW0	DATE SVC REQ'D 01/31/2025	
NPANNX 318925	GEO LOC K4526	CLLI ktvllama
PRIMARY ENGR: JUSTIN ASH		
ENGR.ID: JA877K		
PHONE#: 225-489-4528	PRINT: 5 OF 26	



- 5 PROPOSED 144F BURIED FIBER CABLE
- 6 PROPOSED 144F BURIED FIBER CABLE
- 8 PROPOSED 216F BURIED FIBER CABLE
- 90 PROPOSED INNERDUCT-1.5



ADDRESS: 10155 BONANZA TRAIL

PARISH: CADDO

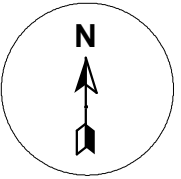
PROJECT# A02TJWO	DATE SVC REQ'D 01/31/2025
---------------------	------------------------------

NPANNX 318925	GEO LOC K4526	CLLI ktvllama
------------------	------------------	------------------

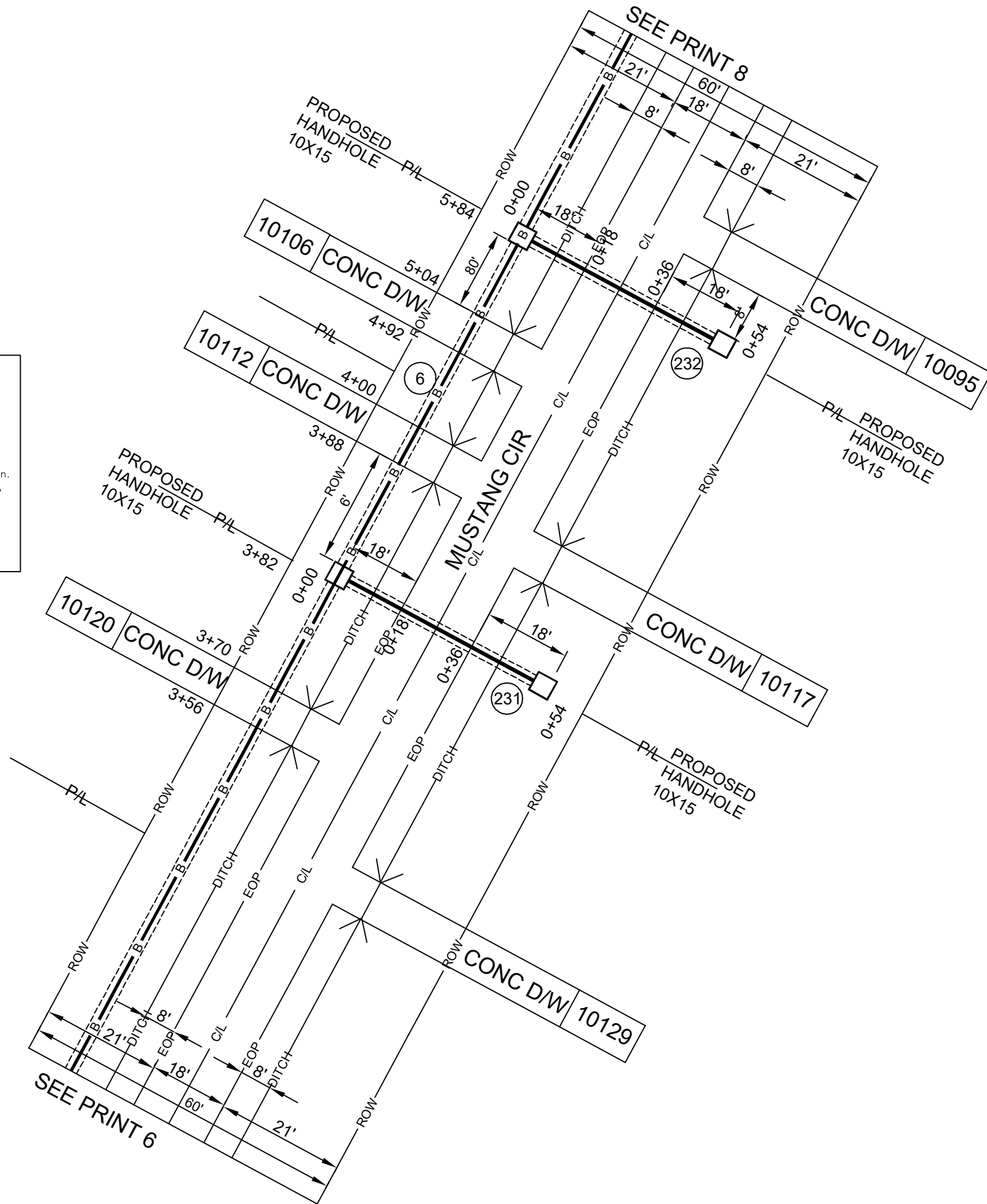
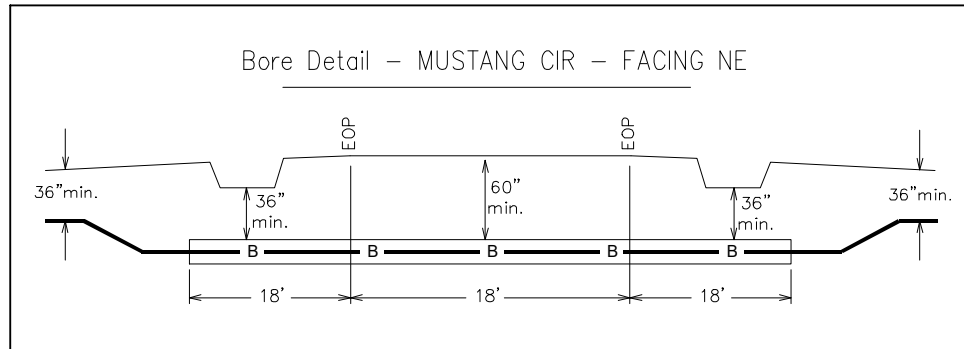
PRIMARY ENGR: JUSTIN ASH

ENGR.ID: JA877K

PHONE#: 225-489-4528	PRINT: 6 OF 26
----------------------	----------------



- ⑥ PROPOSED 144F BURIED FIBER CABLE
- ②31 54' PROPOSED INNERDUCT-1.5
- ②32 54' PROPOSED INNERDUCT-1.5



BORE DEPTH 36" MINIMUM
DRAWING NOT TO SCALE

ADDRESS: 10117 MUSTANG CIR

PARISH: CADDO

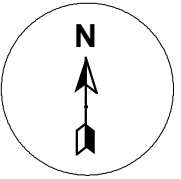
PROJECT# A02TJW0	DATE SVC REQ'D 01/31/2025
---------------------	------------------------------

NPANNX 318925	GEO LOC K4526	CLLI ktvllama
------------------	------------------	------------------

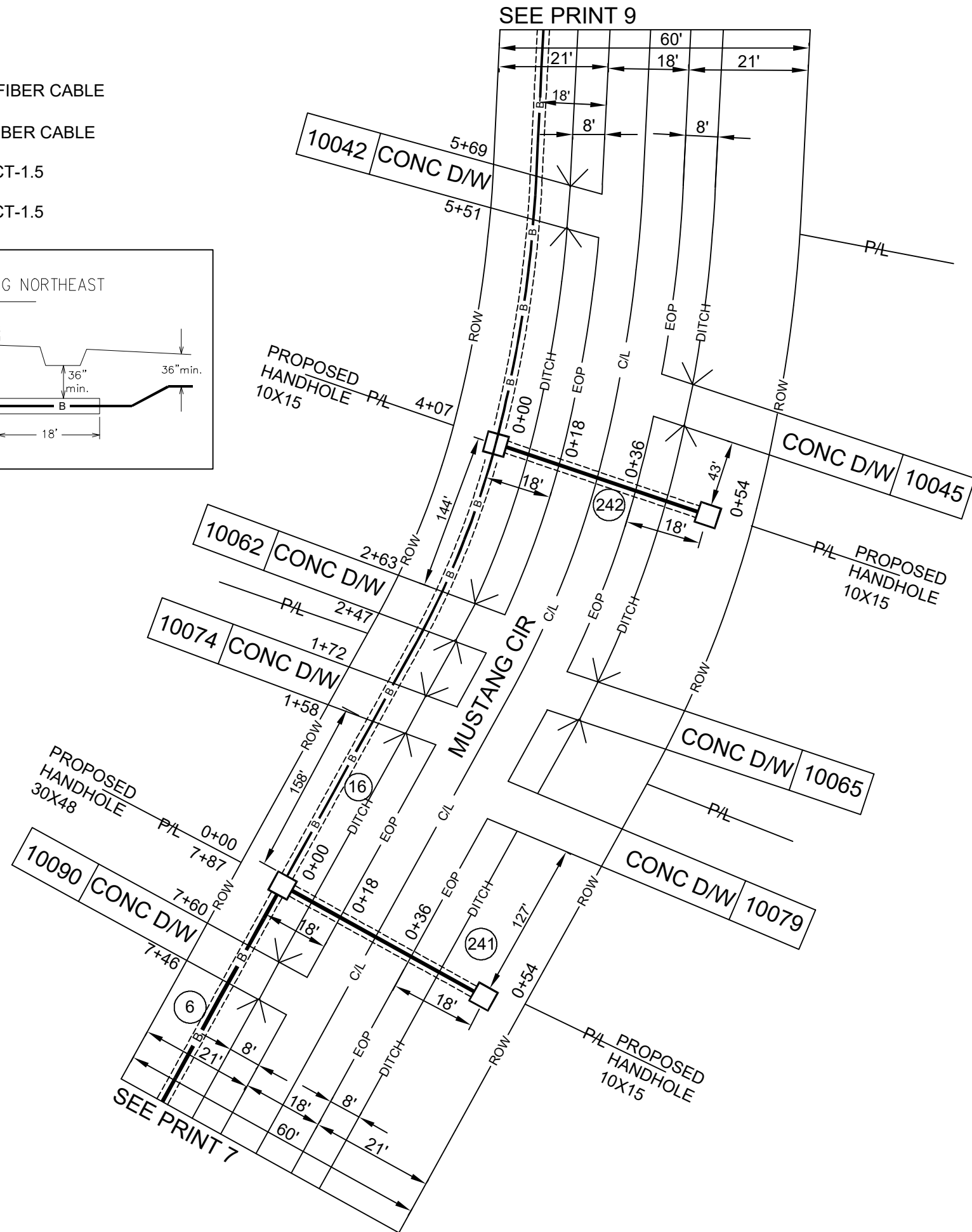
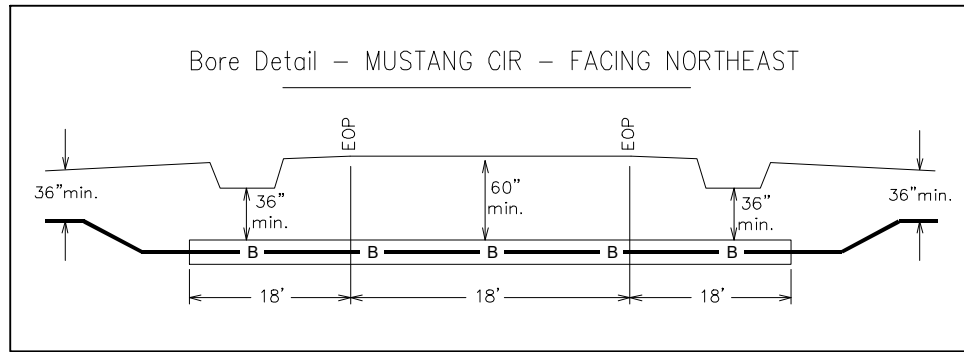
PRIMARY ENGR: JUSTIN ASH

ENGR.ID: JA877K

PHONE#: 225-489-4528	PRINT: 7 OF 26
----------------------	----------------



- ⑥ PROPOSED 144F BURIED FIBER CABLE
- ⑬ PROPOSED 48F BURIED FIBER CABLE
- ②④① 54' PROPOSED INNERDUCT-1.5
- ②④② 54' PROPOSED INNERDUCT-1.5



BORE DEPTH 36" MINIMUM
DRAWING NOT TO SCALE

ADDRESS: 10079 MUSTANG CIR

PARISH: CADDO

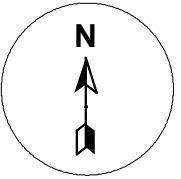
PROJECT# A02TJWO	DATE SVC REQ'D 01/31/2025
---------------------	------------------------------

NPANNX 318925	GEO LOC K4526	CLLI ktvllama
------------------	------------------	------------------

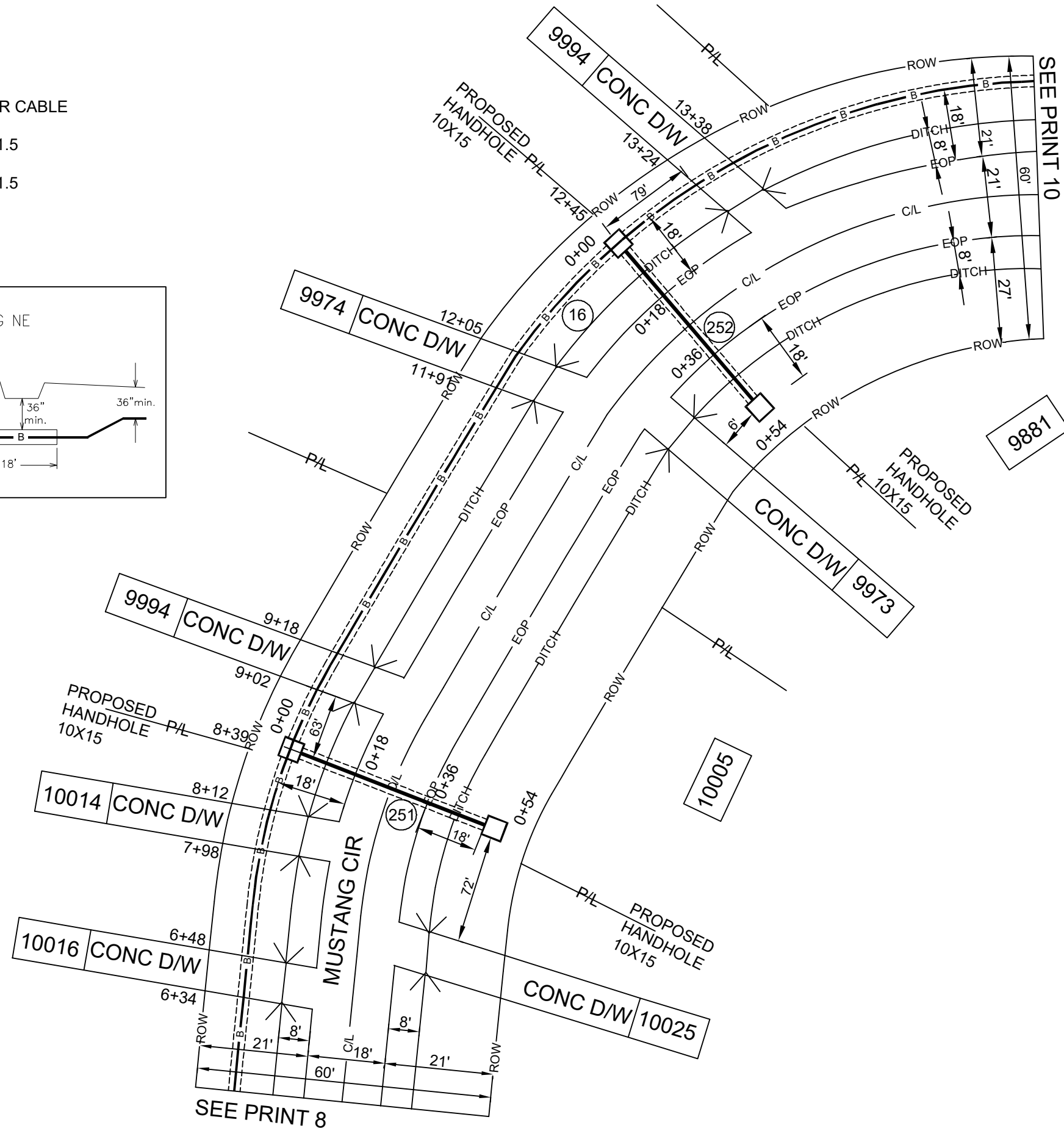
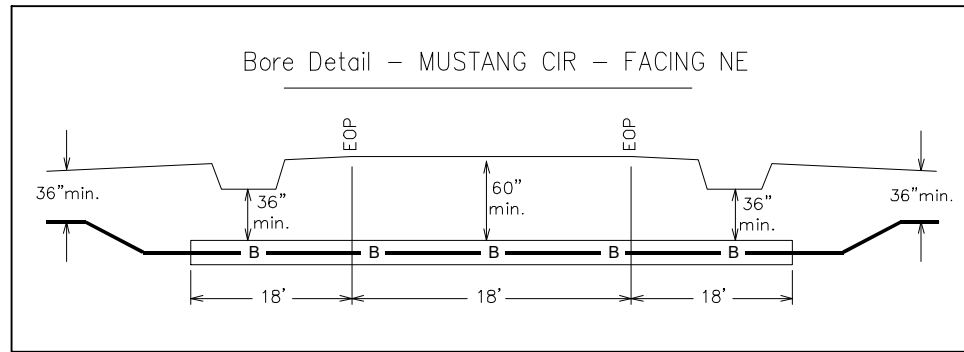
PRIMARY ENGR: JUSTIN ASH

ENGR.ID: JA877K

PHONE#: 225-489-4528	PRINT: 8 OF 26
----------------------	----------------



- ① PROPOSED 48F BURIED FIBER CABLE
- ② 54' PROPOSED INNERDUCT-1.5
- ③ 54' PROPOSED INNERDUCT-1.5



BORE DEPTH 36" MINIMUM
DRAWING NOT TO SCALE

ADDRESS: 9973 MUSTANG CIR

PARISH: CADDO

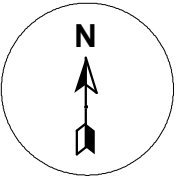
PROJECT# A02TJW0	DATE SVC REQ'D 01/31/2025
---------------------	------------------------------

NPANNX 318925	GEO LOC K4526	CLLI ktvllama
------------------	------------------	------------------

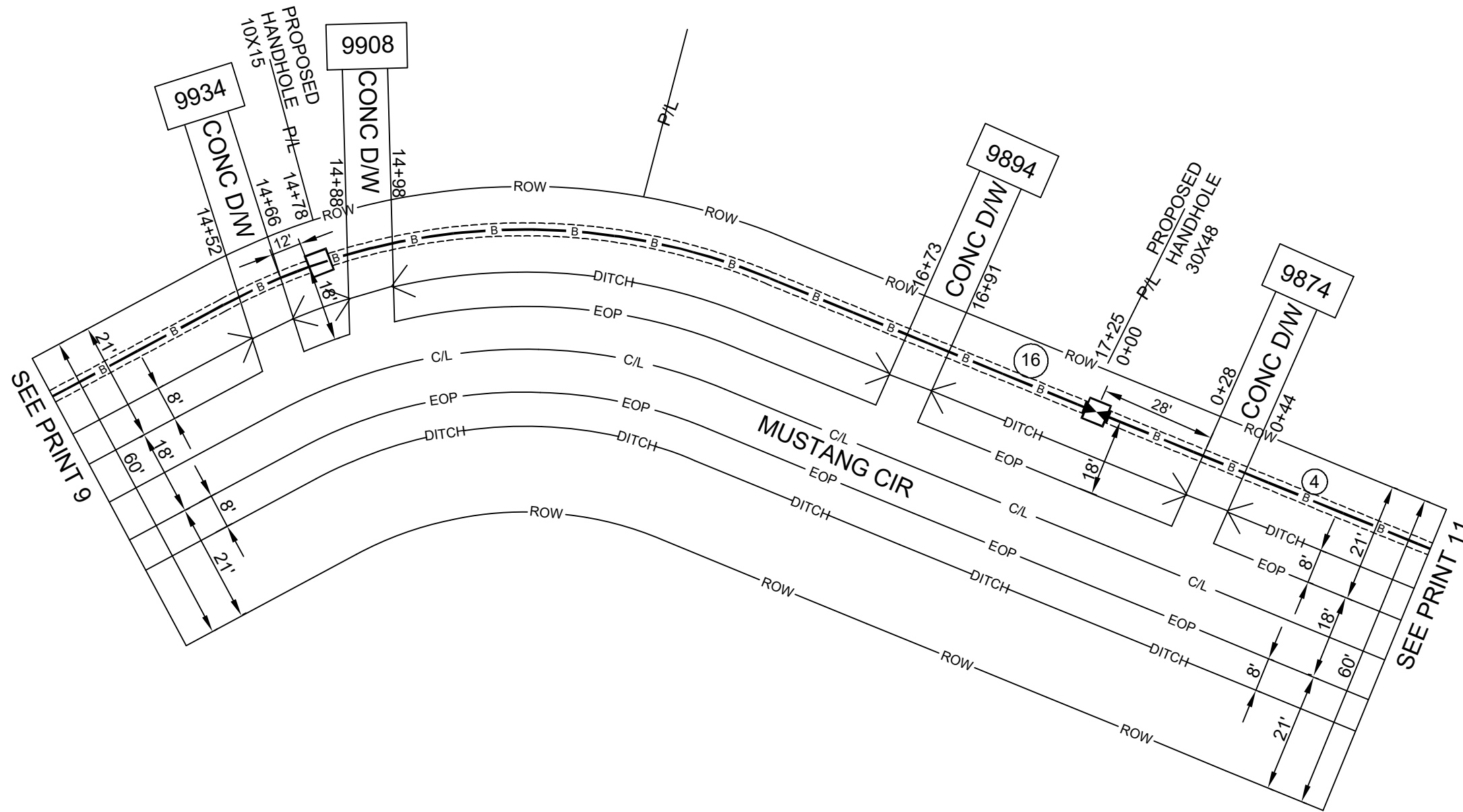
PRIMARY ENGR: JUSTIN ASH

ENGR.ID: JA877K

PHONE#: 225-489-4528	PRINT: 9 OF 26
----------------------	----------------

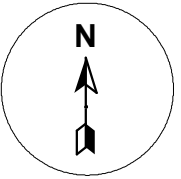


- ④ PROPOSED 24F BURIED FIBER CABLE
- ⑬ PROPOSED 48F BURIED FIBER CABLE

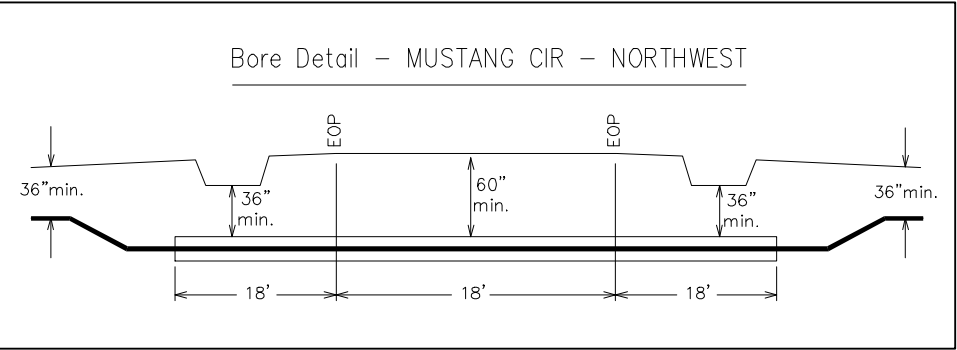
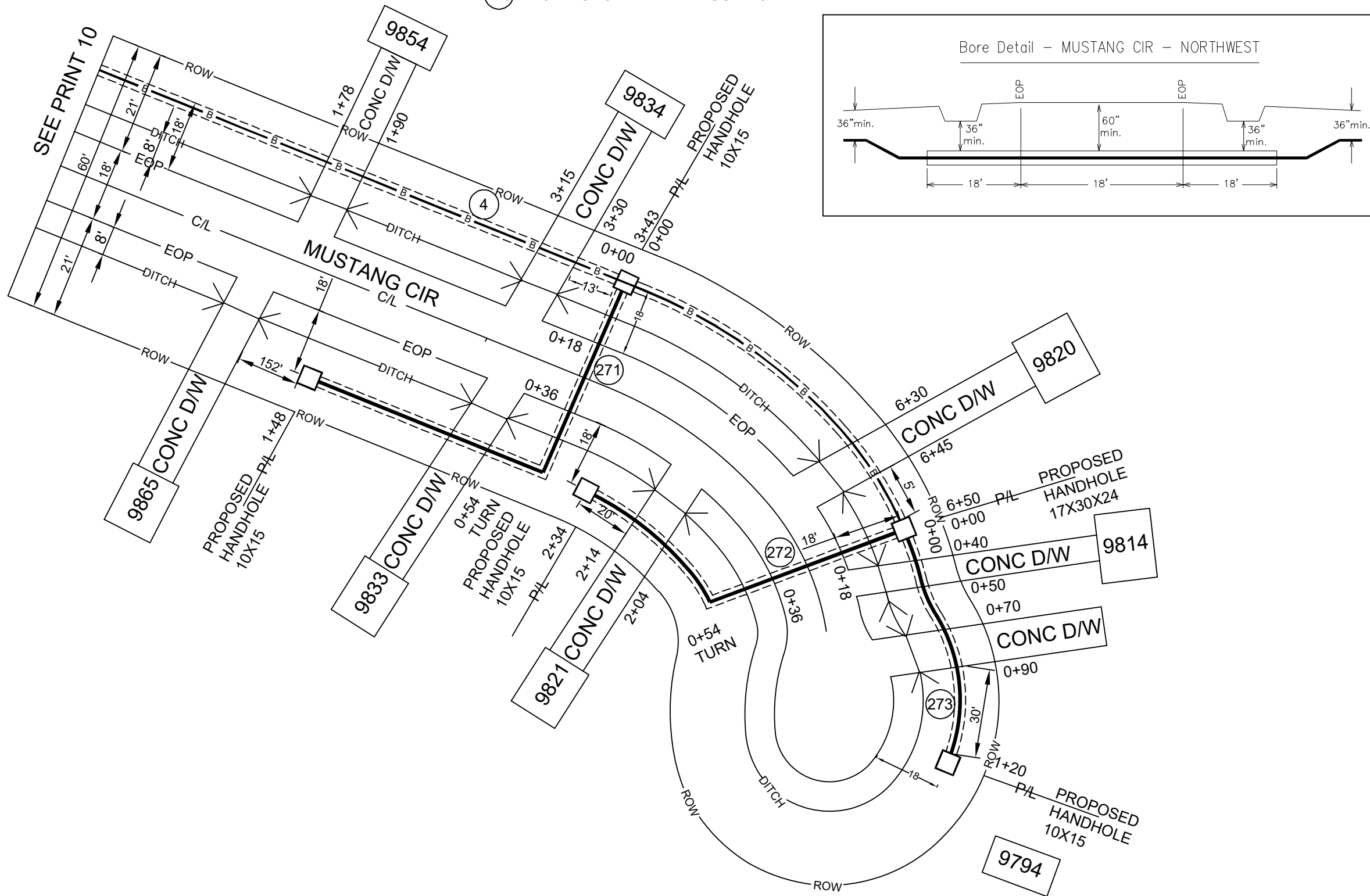


BORE DEPTH 36" MINIMUM
DRAWING NOT TO SCALE

ADDRESS: 9894 MUSTANG CIR		
PARISH: CADDO		
PROJECT# A02TJW0	DATE SVC REQ'D 01/31/2025	
NPANNX 318925	GEO LOC K4526	CLLI ktvllama
PRIMARY ENGR: JUSTIN ASH		
ENGR.ID: JA877K		
PHONE#: 225-489-4528	PRINT: 10 OF 26	



- ④ PROPOSED 24F BURIED FIBER CABLE
- ②71 148' PROPOSED INNERDUCT-1.5
- ②72 234' PROPOSED INNERDUCT-1.5
- ②73 120' PROPOSED INNERDUCT-1.5



BORE DEPTH 36" MINIMUM
DRAWING NOT TO SCALE

ADDRESS: 9834 MUSTANG CIR

PARISH: CADDO

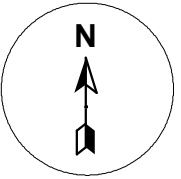
PROJECT# A02TJW0	DATE SVC REQ'D 01/31/2025
---------------------	------------------------------

NPANNX 318925	GEO LOC K4526	CLLI ktvllama
------------------	------------------	------------------

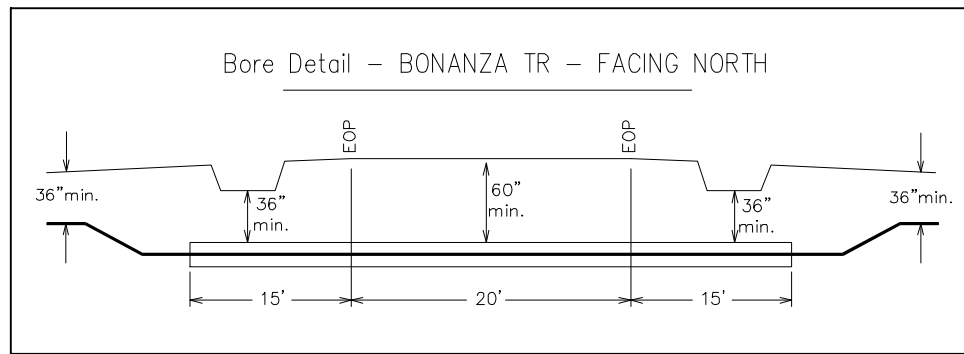
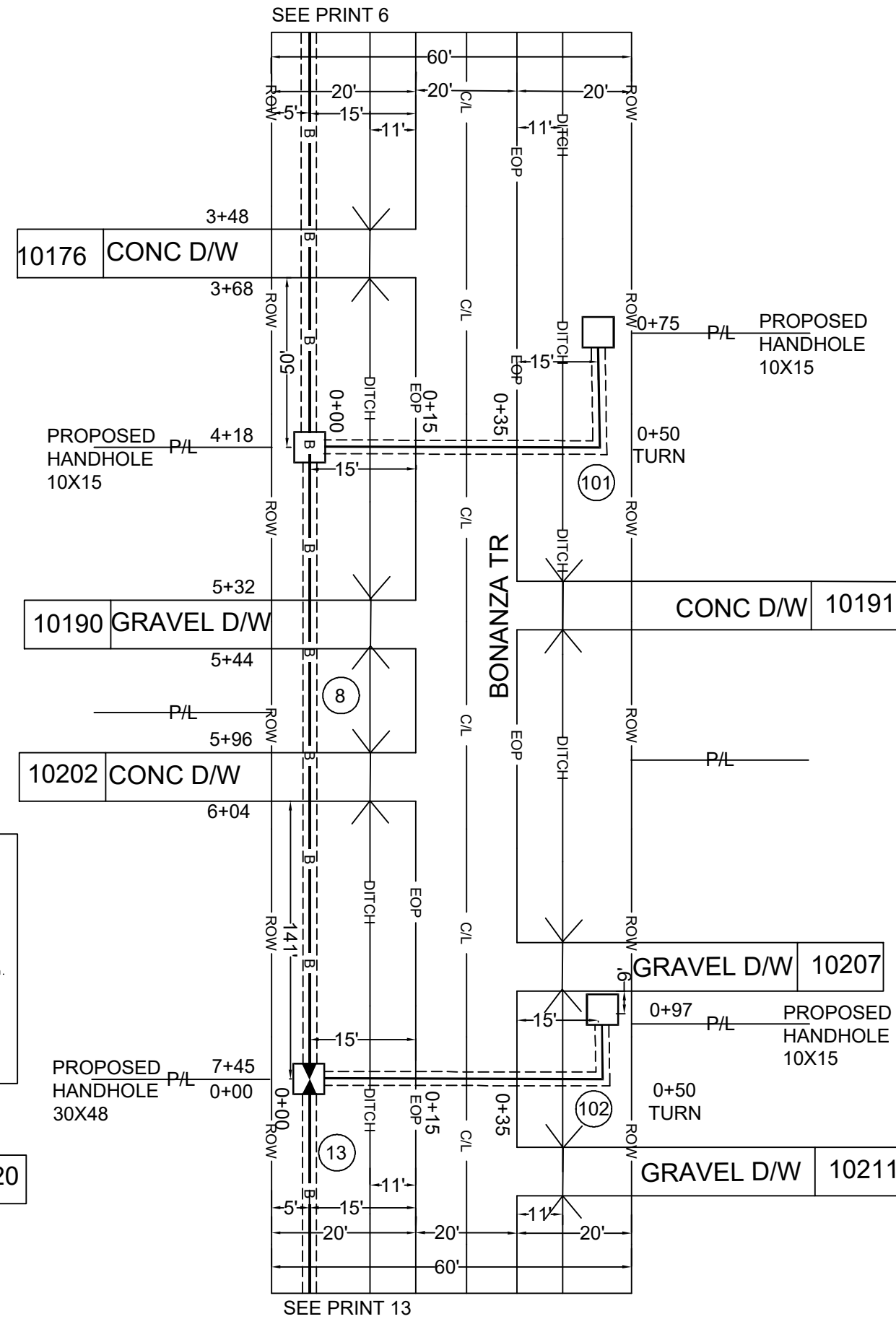
PRIMARY ENGR: JUSTIN ASH

ENGR.ID: JA877K

PHONE #: 225-489-4528	PRINT: 11 OF 26
-----------------------	-----------------



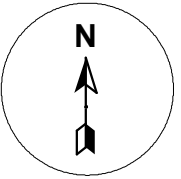
- ⑧ PROPOSED 216F BURIED FIBER CABLE
- ⑬ PROPOSED 144F BURIED FIBER CABLE
- ⑩① 75' PROPOSED INNERDUCT-1.5
- ⑩② 97' PROPOSED INNERDUCT-1.5



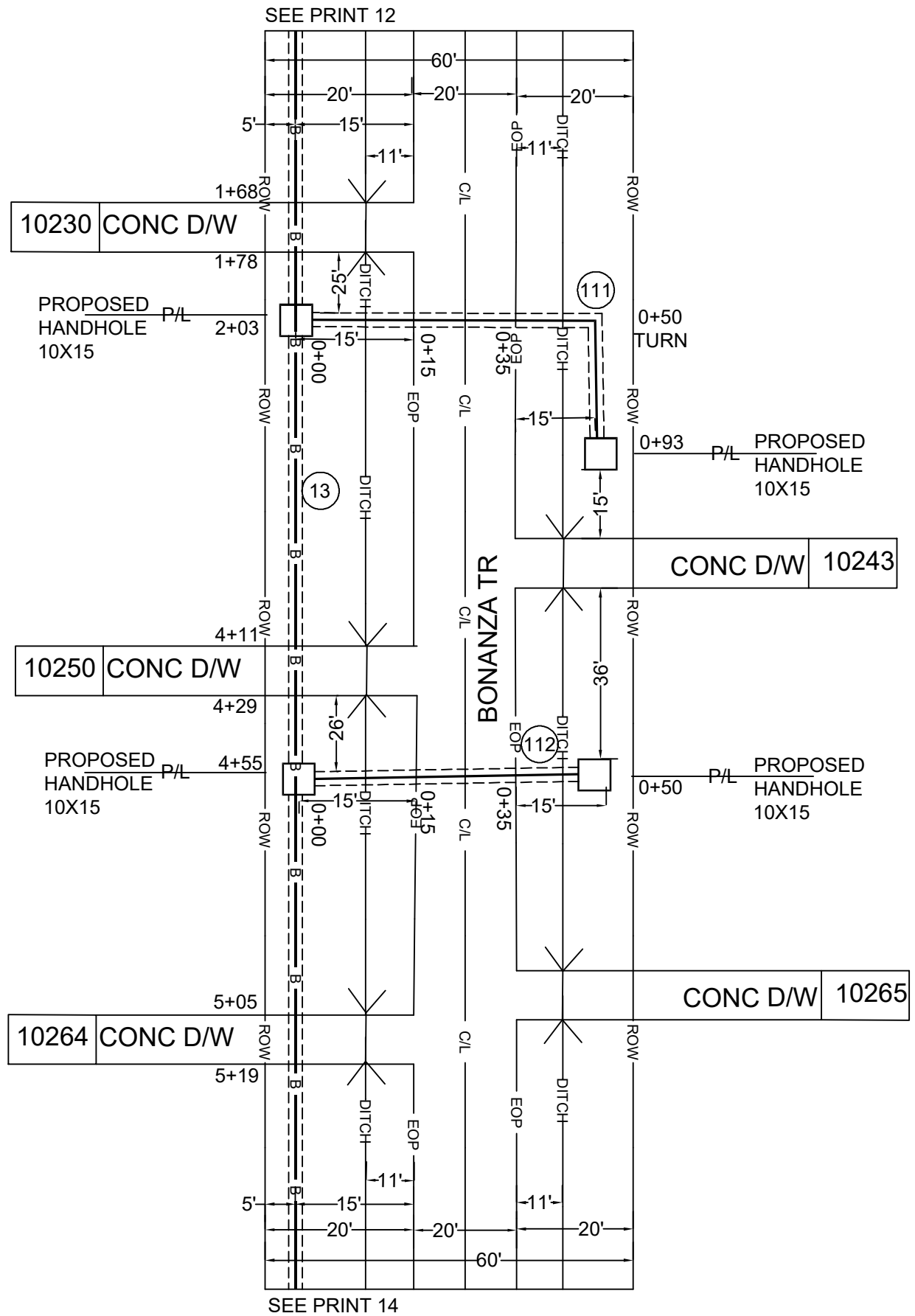
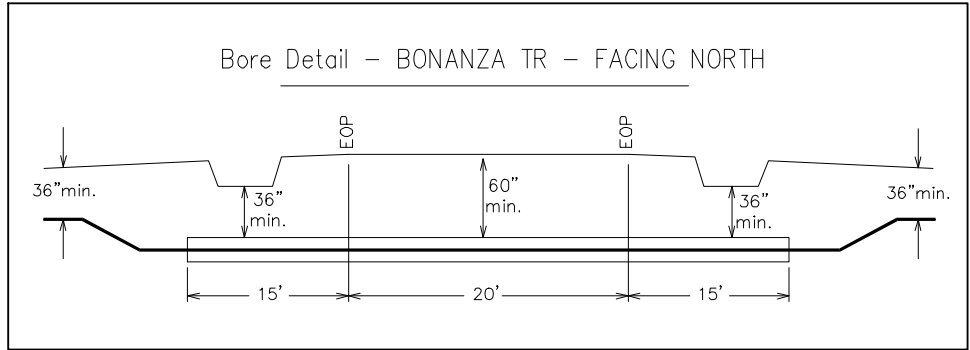
10220

BORE DEPTH 36" MINIMUM
DRAWING NOT TO SCALE

ADDRESS: 10191 BONANZA TR		
PARISH: CADDO		
PROJECT# A02TJW0	DATE SVC REQ'D 01/31/2025	
NPANNX 318925	GEO LOC K4526	CLLI ktvllama
PRIMARY ENGR: JUSTIN ASH		
ENGR.ID: JA877K		
PHONE#: 225-489-4528	PRINT: 12 OF 26	

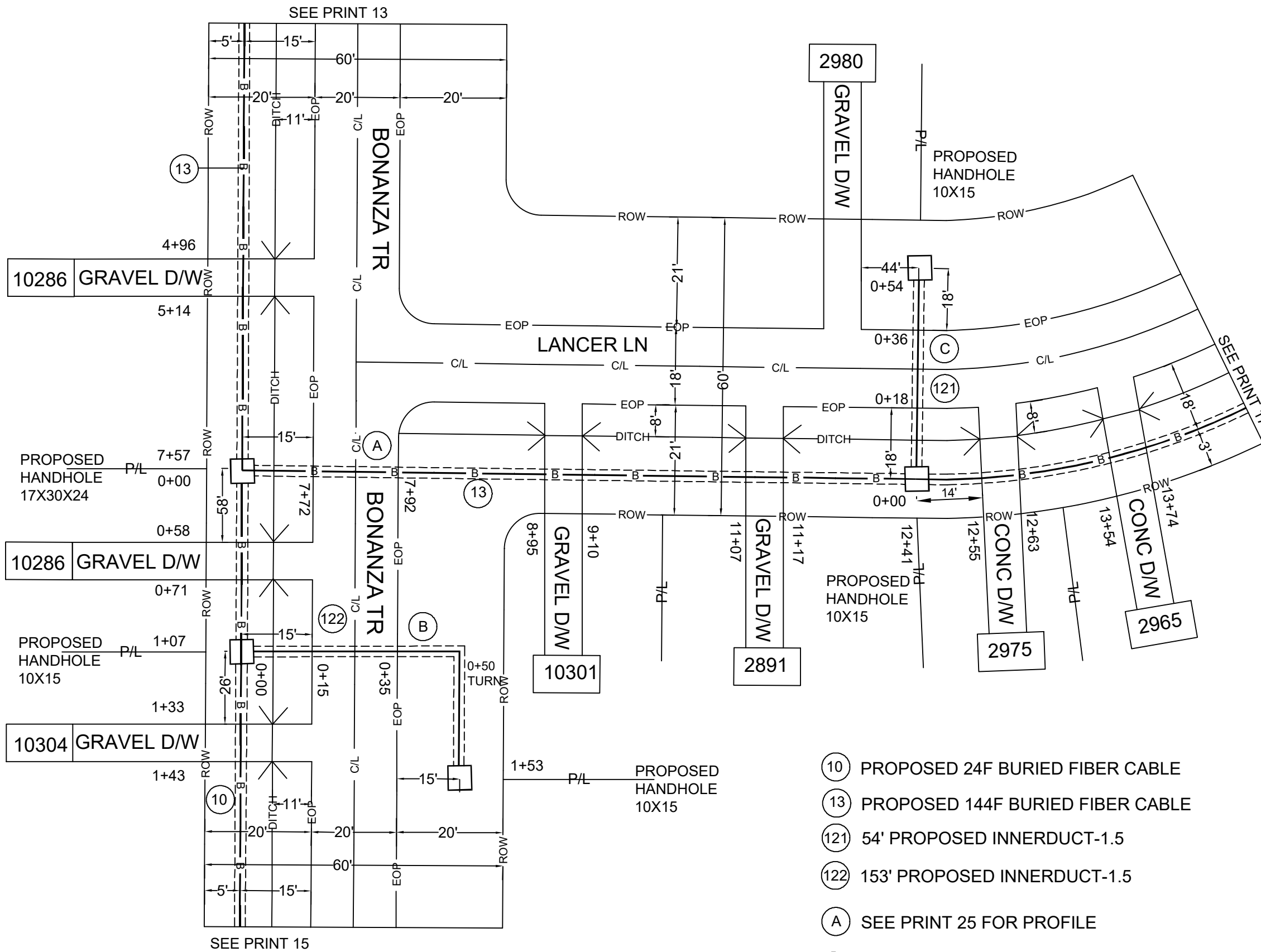
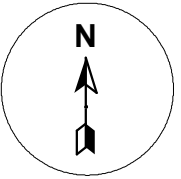


- ⑬ PROPOSED 144F BURIED FIBER CABLE
- ⑪① 93' PROPOSED INNERDUCT-1.5
- ⑪② 50' PROPOSED INNERDUCT-1.5



BORE DEPTH 36" MINIMUM
DRAWING NOT TO SCALE

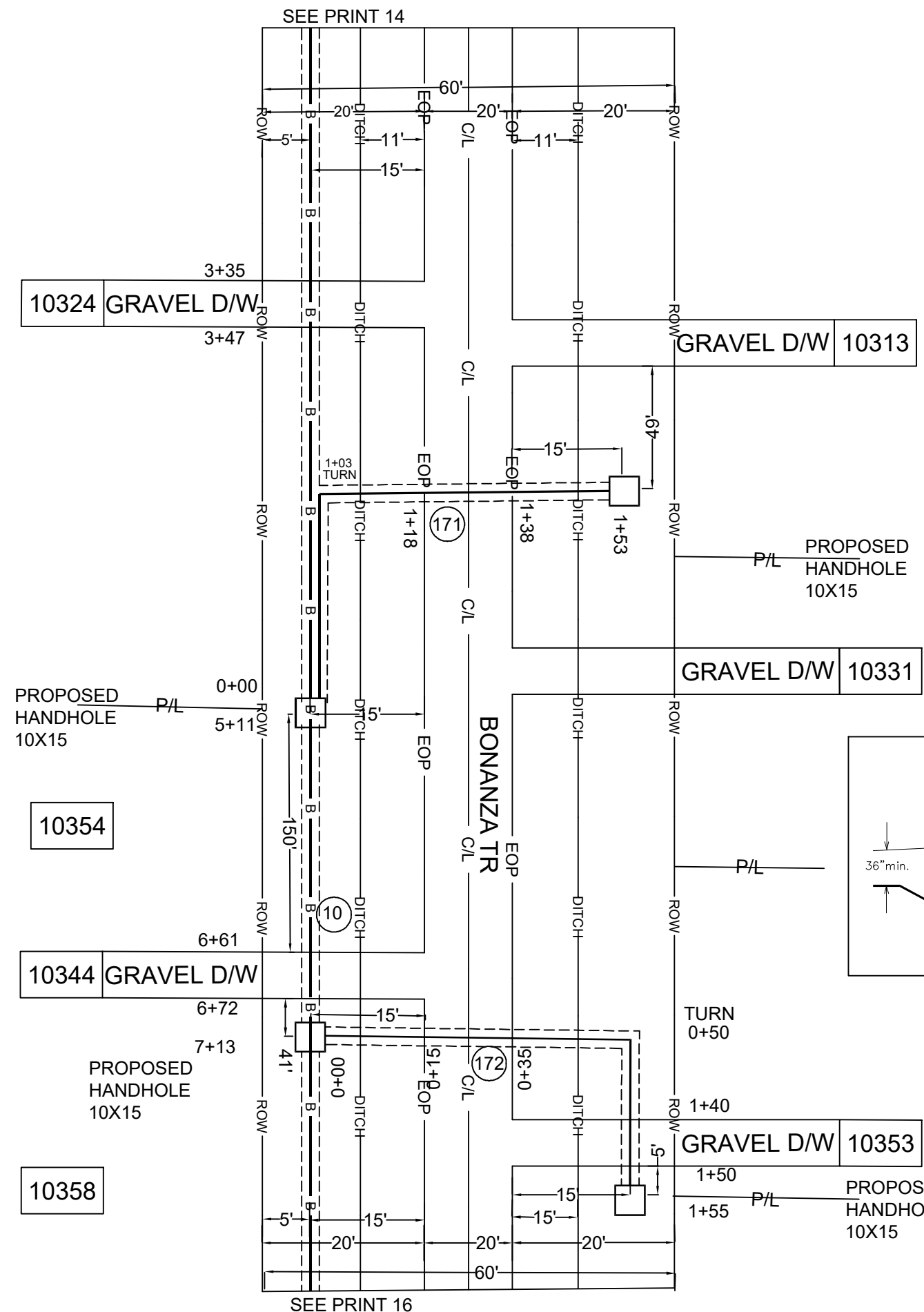
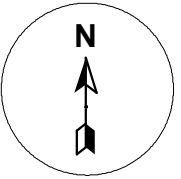
ADDRESS: 10243 BONANZA TR		
PARISH: CADDO		
PROJECT# A02TJW0	DATE SVC REQ'D 01/31/2025	
NPANNX 318925	GEO LOC K4526	CLLI ktvllama
PRIMARY ENGR: JUSTIN ASH		
ENGR.ID: JA877K		
PHONE #: 225-489-4528	PRINT: 13 OF 26	



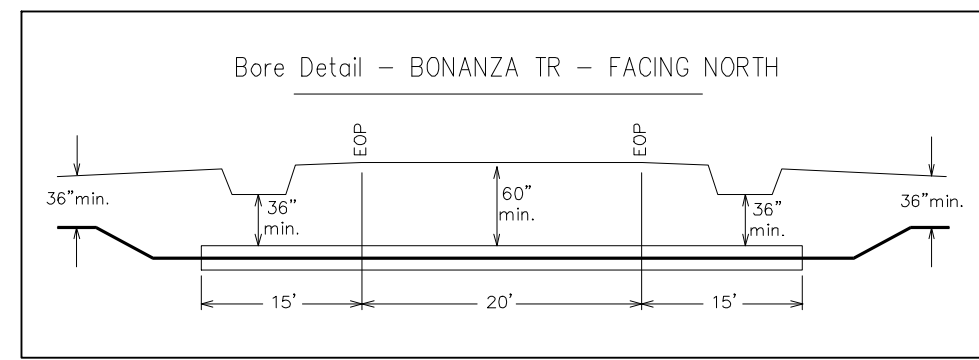
- ⑩ PROPOSED 24F BURIED FIBER CABLE
- ⑬ PROPOSED 144F BURIED FIBER CABLE
- ⑫① 54' PROPOSED INNERDUCT-1.5
- ⑫② 153' PROPOSED INNERDUCT-1.5
- Ⓐ SEE PRINT 25 FOR PROFILE
- Ⓑ SEE PRINT 25 FOR PROFILE
- Ⓒ SEE PRINT 25 FOR PROFILE

BORE DEPTH 36" MINIMUM
DRAWING NOT TO SCALE

ADDRESS: 2891 LANCER LN		
PARISH: CADDO		
PROJECT# A02TJW0	DATE SVC REQ'D 01/31/2025	
NPANNX 318925	GEO LOC K4526	CLLI ktvllama
PRIMARY ENGR: JUSTIN ASH		
ENGR.ID: JA877K		
PHONE#: 225-489-4528	PRINT: 14 OF 26	



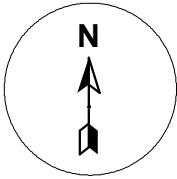
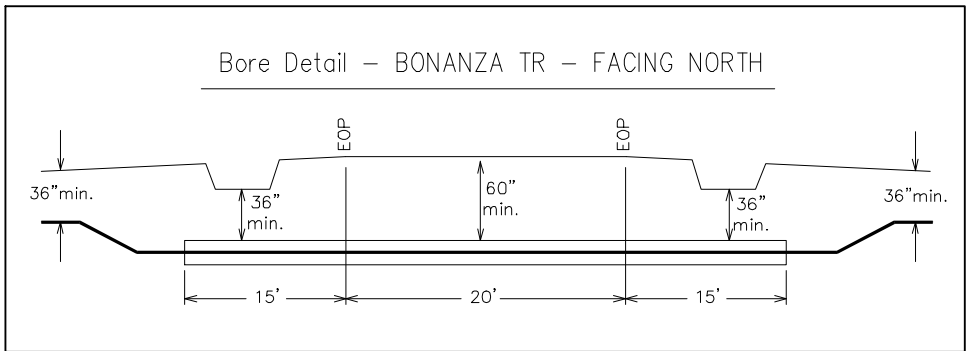
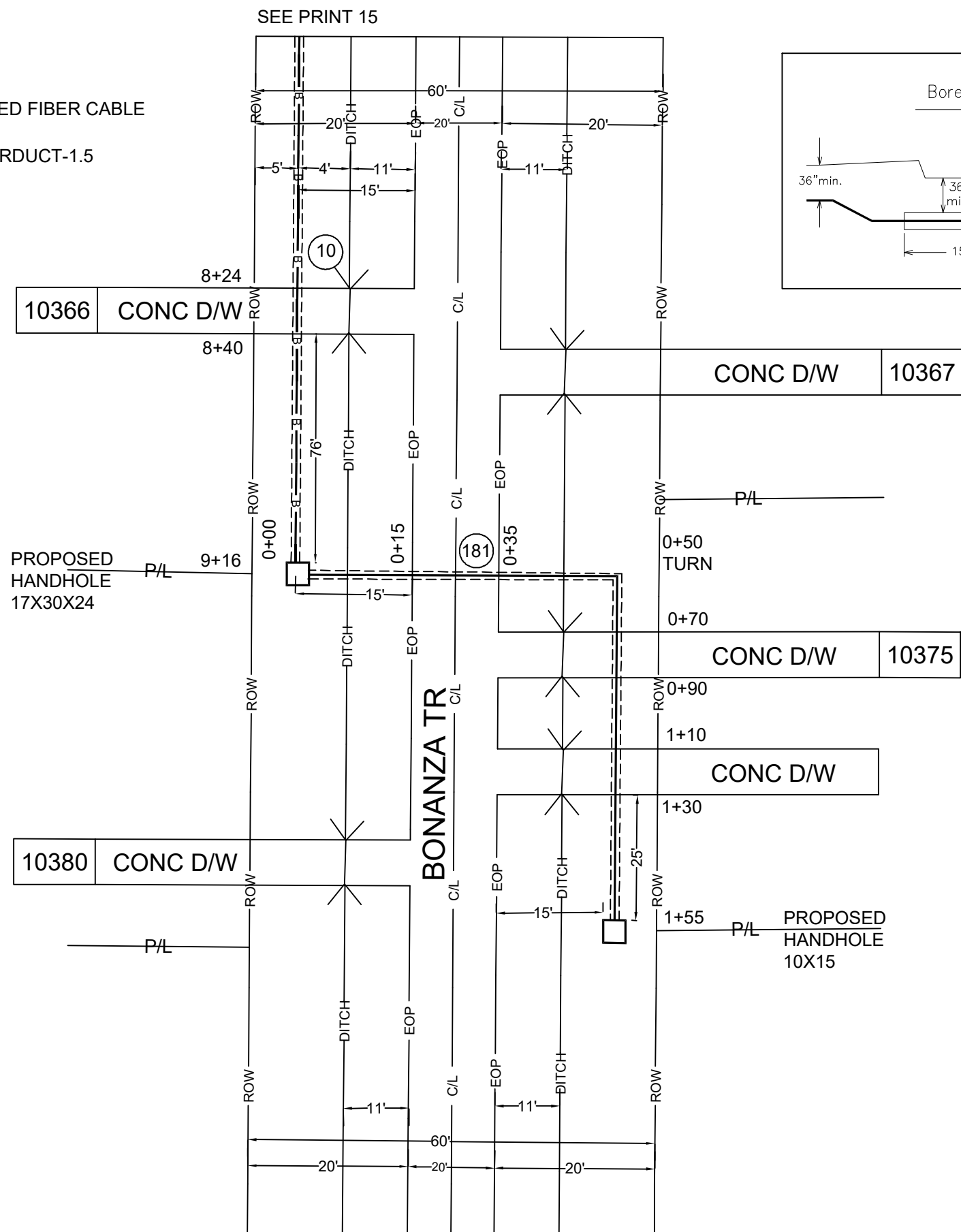
- (10) PROPOSED 24F BURIED FIBER CABLE
- (171) 153' PROPOSED INNERDUCT-1.5
- (172) 155' PROPOSED INNERDUCT-1.5



BORE DEPTH 36" MINIMUM
DRAWING NOT TO SCALE

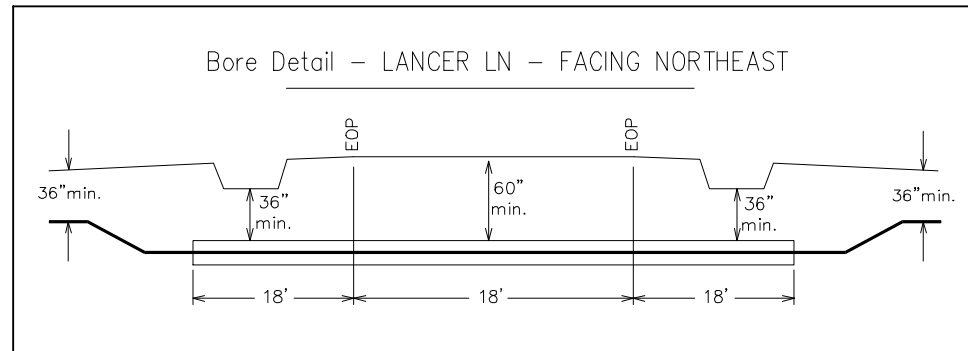
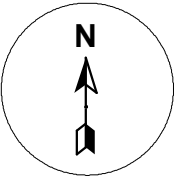
ADDRESS: 10331 BONANZA TRAIL		
PARISH: CADDO		
PROJECT# A02TJW0	DATE SVC REQ'D 01/31/2025	
NPANNX 318925	GEO LOC K4526	CLLI ktvllama
PRIMARY ENGR: JUSTIN ASH		
ENGR.ID: JA877K		
PHONE#: 225-489-4528	PRINT: 15 OF 26	

- 10 PROPOSED 24F BURIED FIBER CABLE
- 181 155' PROPOSED INNERDUCT-1.5

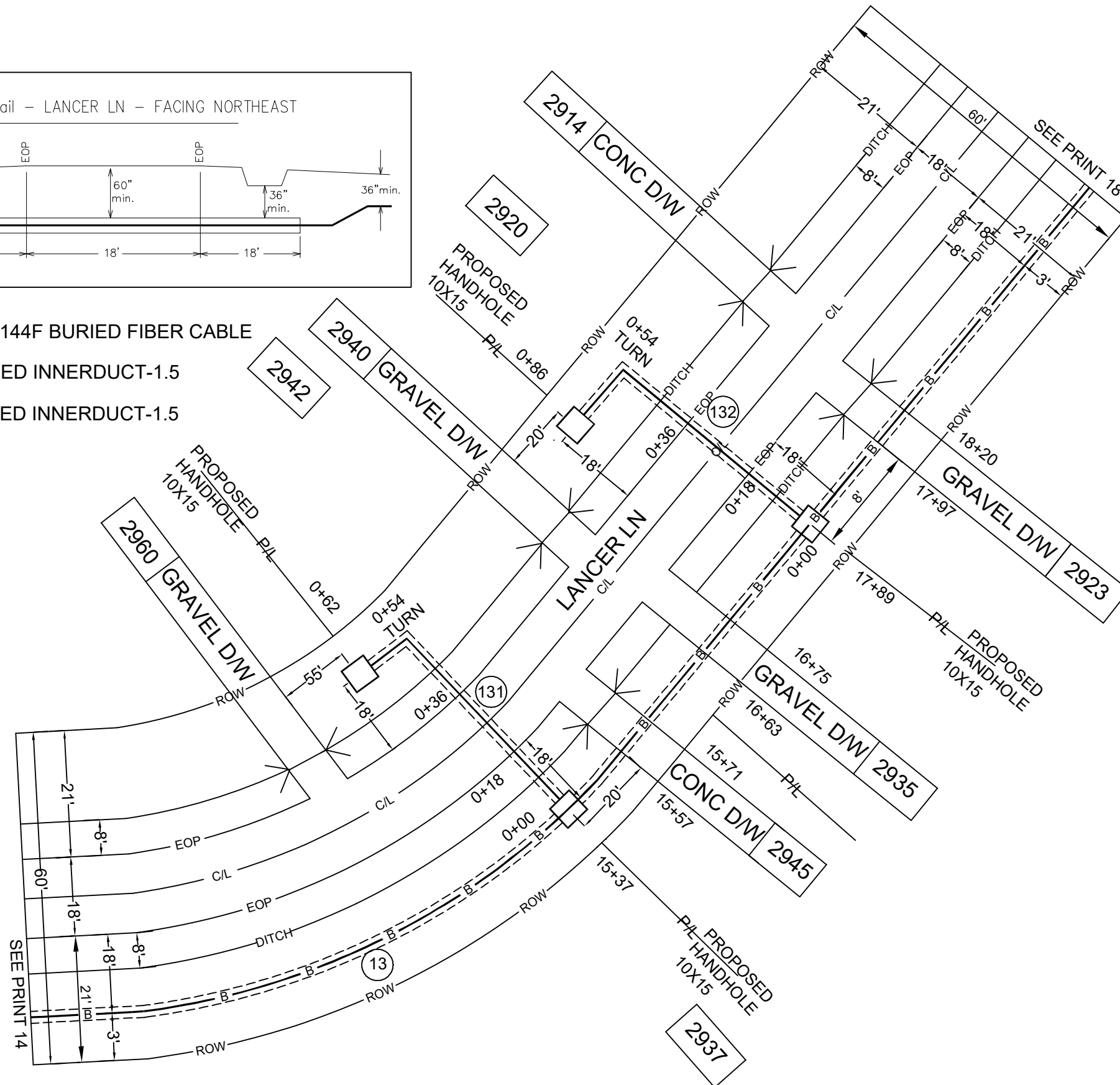


BORE DEPTH 36" MINIMUM
DRAWING NOT TO SCALE

ADDRESS: 10375 BONANZA TRAIL		
PARISH: CADDO		
PROJECT# A02TJW0	DATE SVC REQ'D 01/31/2025	
NPANNX 318925	GEO LOC K4526	CLLI ktvllama
PRIMARY ENGR: JUSTIN ASH		
ENGR.ID: JA877K		
PHONE#: 225-489-4528	PRINT: 16 OF 26	

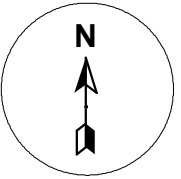


- ⑬ PROPOSED 144F BURIED FIBER CABLE
- ⑬① 62' PROPOSED INNERDUCT-1.5
- ⑬② 86' PROPOSED INNERDUCT-1.5

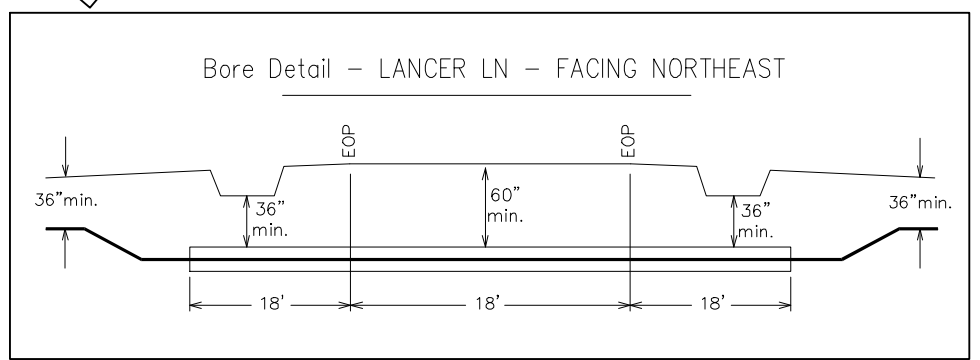
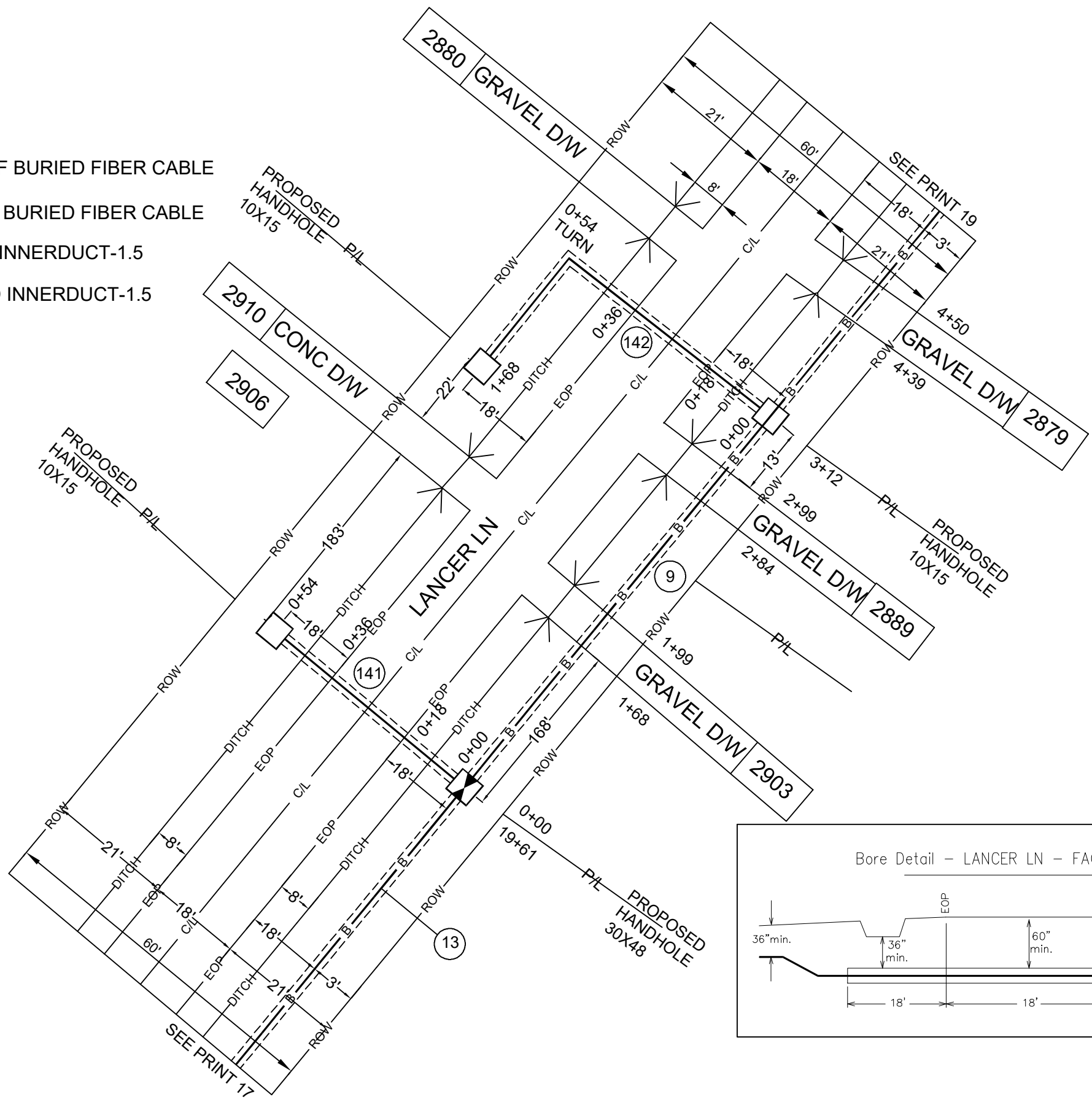


BORE DEPTH 36" MINIMUM
DRAWING NOT TO SCALE

ADDRESS: 2945 LANCER LN		
PARISH: CADDO		
PROJECT# A02TJW0	DATE SVC REQ'D 01/31/2025	
NPANNX 318925	GEO LOC K4526	CLLI ktvllama
PRIMARY ENGR: JUSTIN ASH		
ENGR.ID: JA877K		
PHONE#: 225-489-4528	PRINT: 17 OF 26	

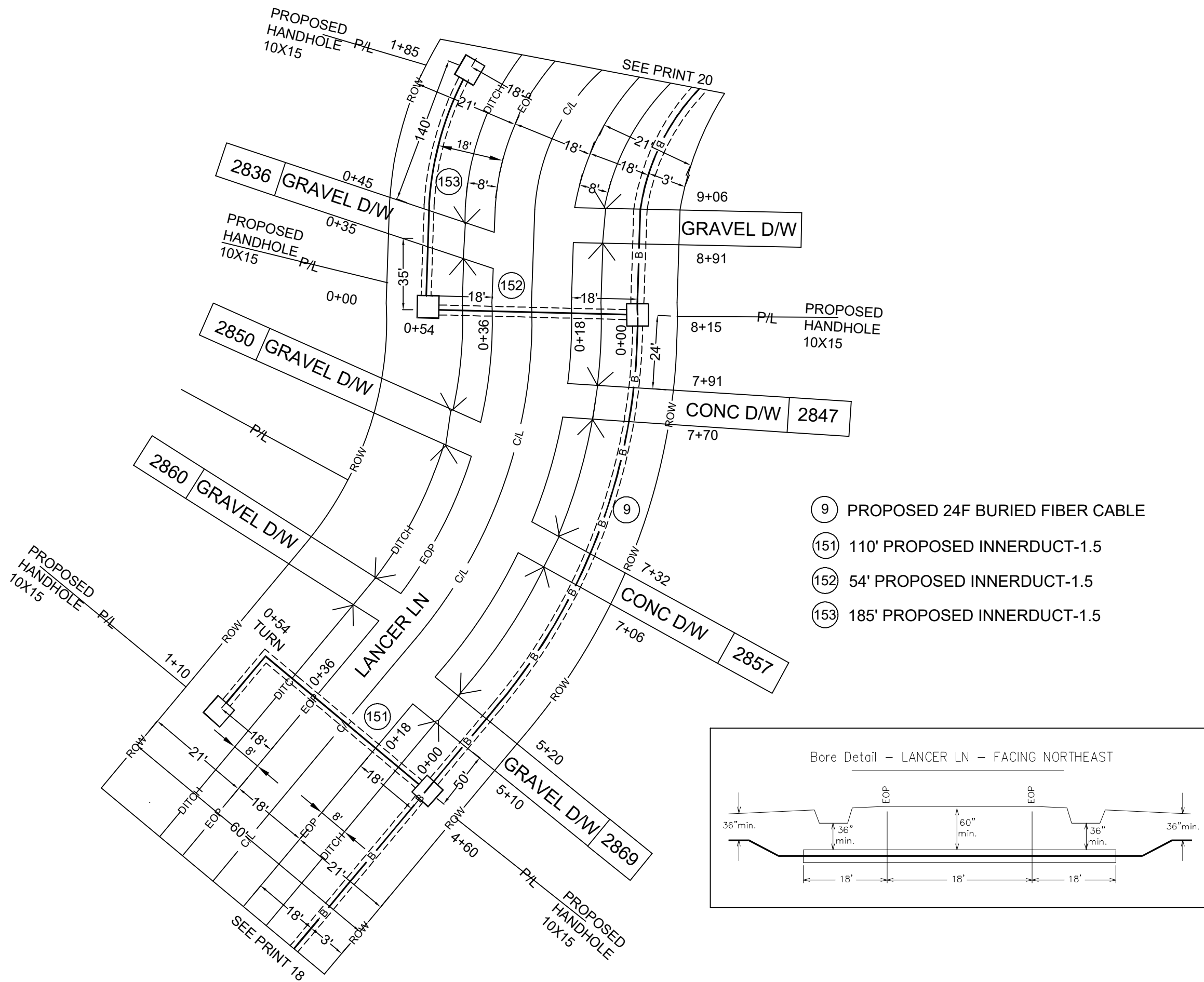
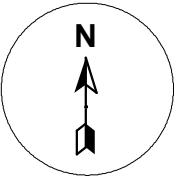


- ⑬ PROPOSED 144F BURIED FIBER CABLE
- ⑨ PROPOSED 24F BURIED FIBER CABLE
- ⑭ 54' PROPOSED INNERDUCT-1.5
- ⑮ 168' PROPOSED INNERDUCT-1.5

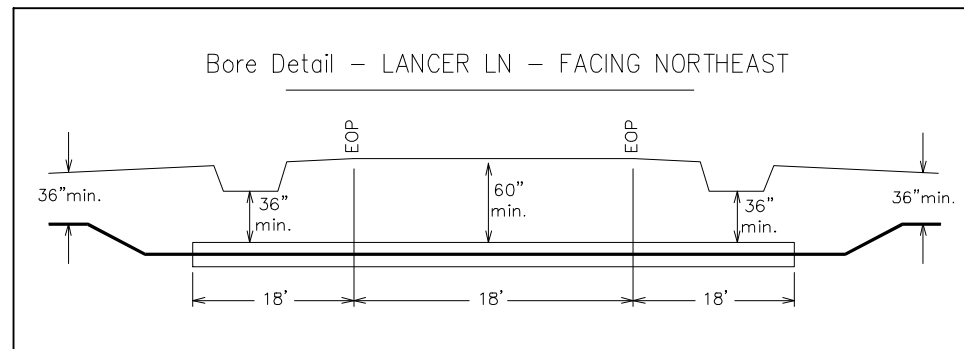


BORE DEPTH 36" MINIMUM
DRAWING NOT TO SCALE

ADDRESS: 2910 LANCER LN		
PARISH: CADDO		
PROJECT# A02TJWO	DATE SVC REQ'D 01/31/2025	
NPANNX 318925	GEO LOC K4526	CLLI ktvllama
PRIMARY ENGR: JUSTIN ASH		
ENGR.ID: JA877K		
PHONE#: 225-489-4528	PRINT: 18 OF 26	

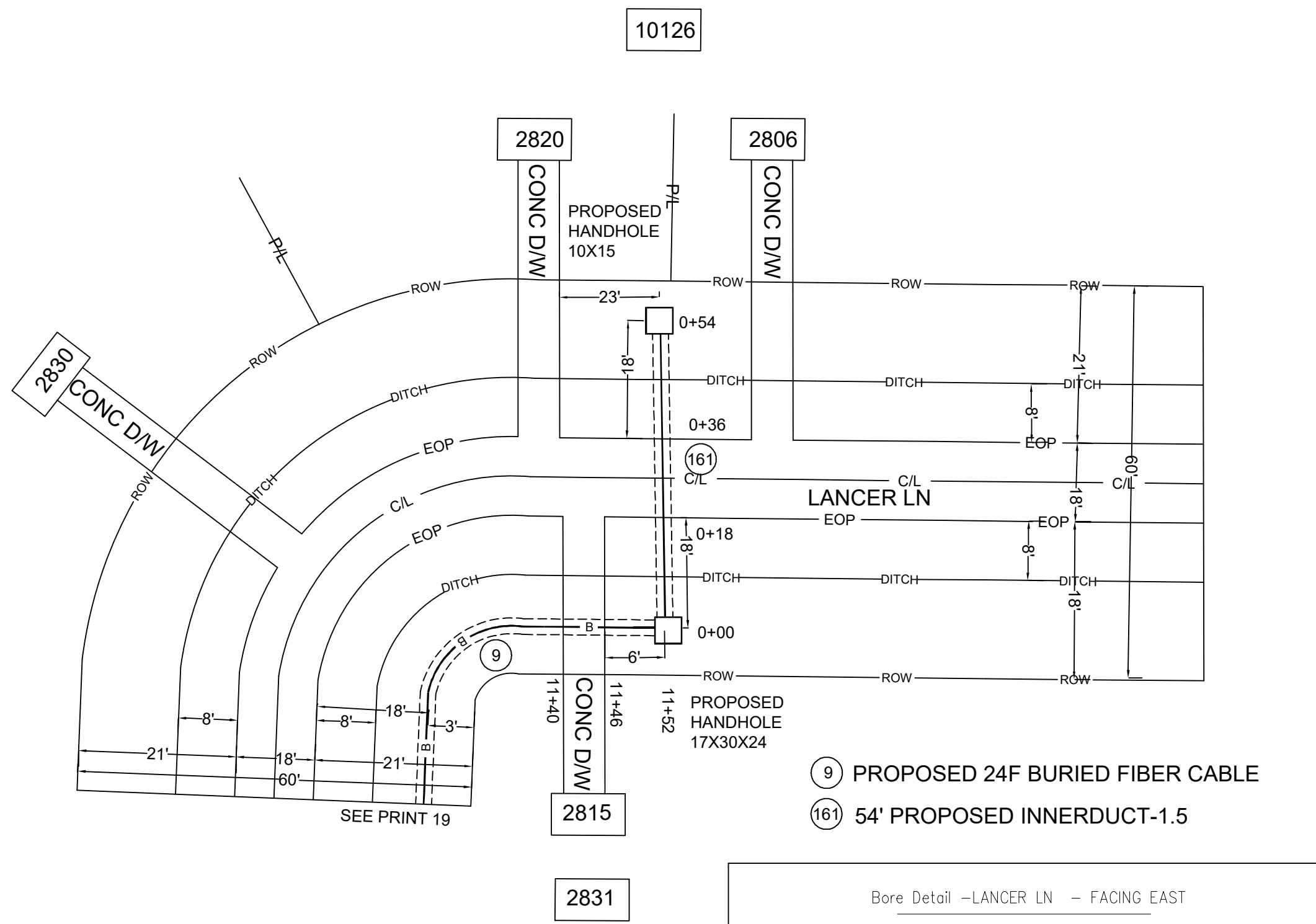
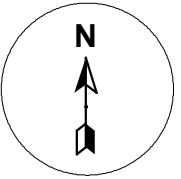


- ⑨ PROPOSED 24F BURIED FIBER CABLE
- ⑮① 110' PROPOSED INNERDUCT-1.5
- ⑮② 54' PROPOSED INNERDUCT-1.5
- ⑮③ 185' PROPOSED INNERDUCT-1.5

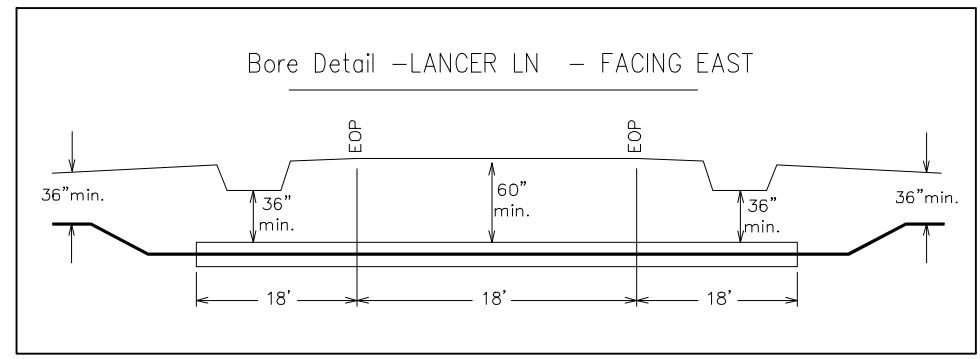


BORE DEPTH 36" MINIMUM
DRAWING NOT TO SCALE

ADDRESS: 2847 LANCER LN		
PARISH: CADDO		
PROJECT# A02TJW0	DATE SVC REQ'D 01/31/2025	
NPANNX 318925	GEO LOC K4526	CLLI ktvllama
PRIMARY ENGR: JUSTIN ASH		
ENGR.ID: JA877K		
PHONE#: 225-489-4528	PRINT: 19 OF 26	



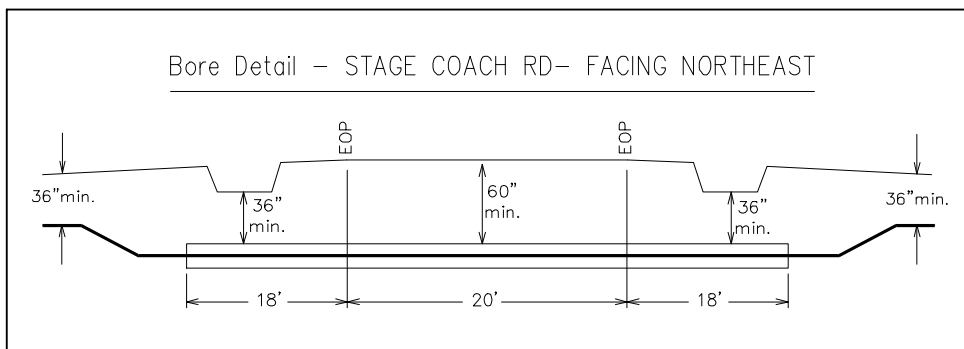
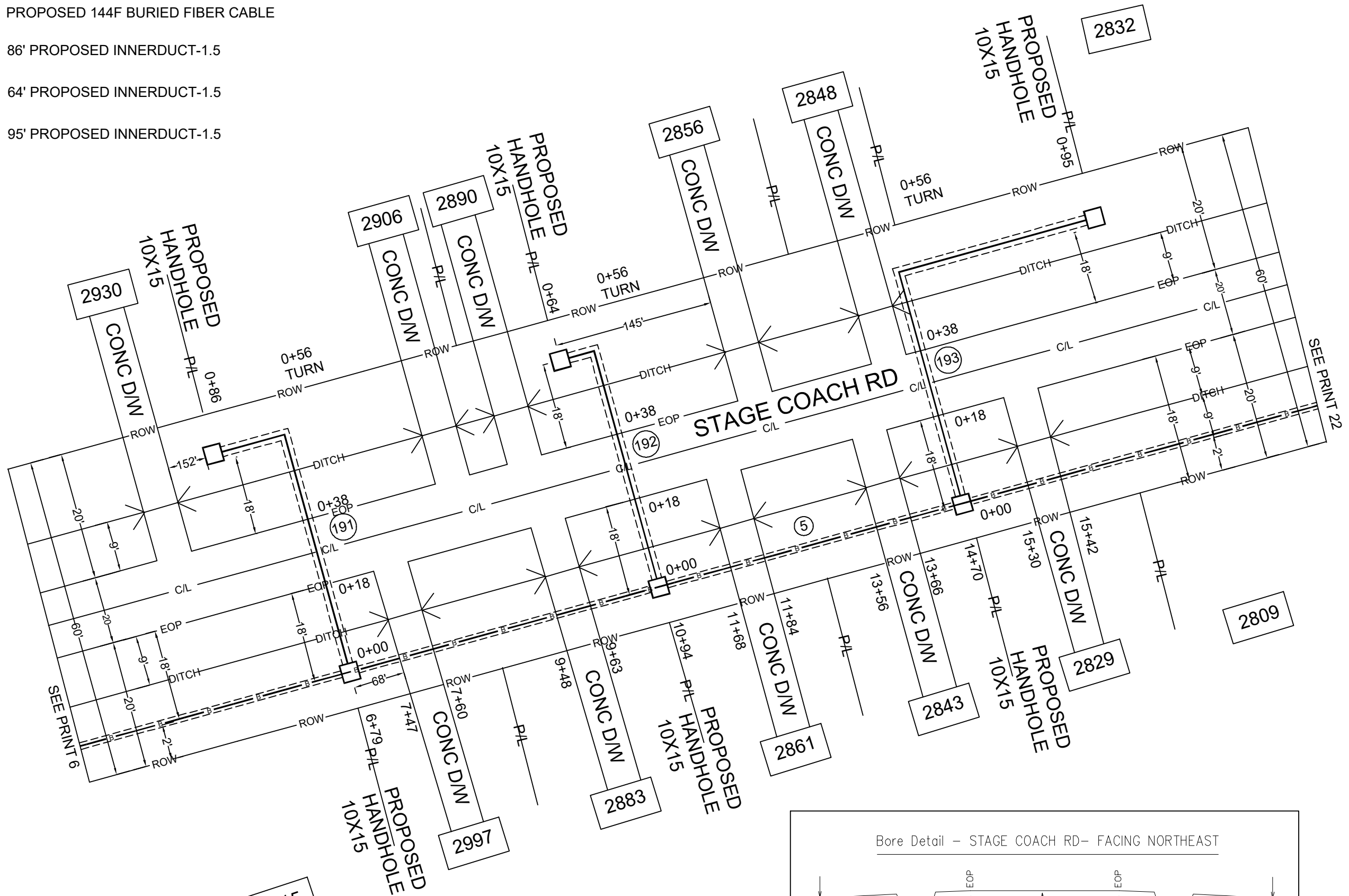
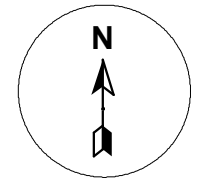
- (9) PROPOSED 24F BURIED FIBER CABLE
- (161) 54' PROPOSED INNERDUCT-1.5



BORE DEPTH 36" MINIMUM
DRAWING NOT TO SCALE

ADDRESS: 2806 LANCER LN		
PARISH: CADDO		
PROJECT# A02TJW0	DATE SVC REQ'D 01/31/2025	
NPANNX 318925	GEO LOC K4526	CLLI ktvllama
PRIMARY ENGR: JUSTIN ASH		
ENGR.ID: JA877K		
PHONE#: 225-489-4528	PRINT: 20 OF 26	

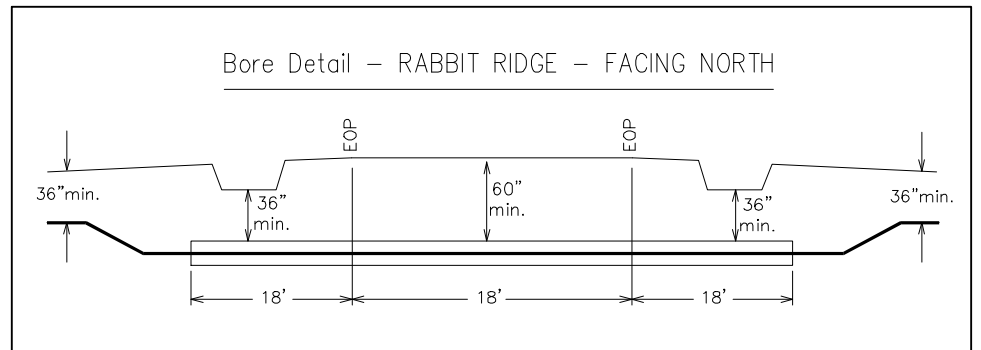
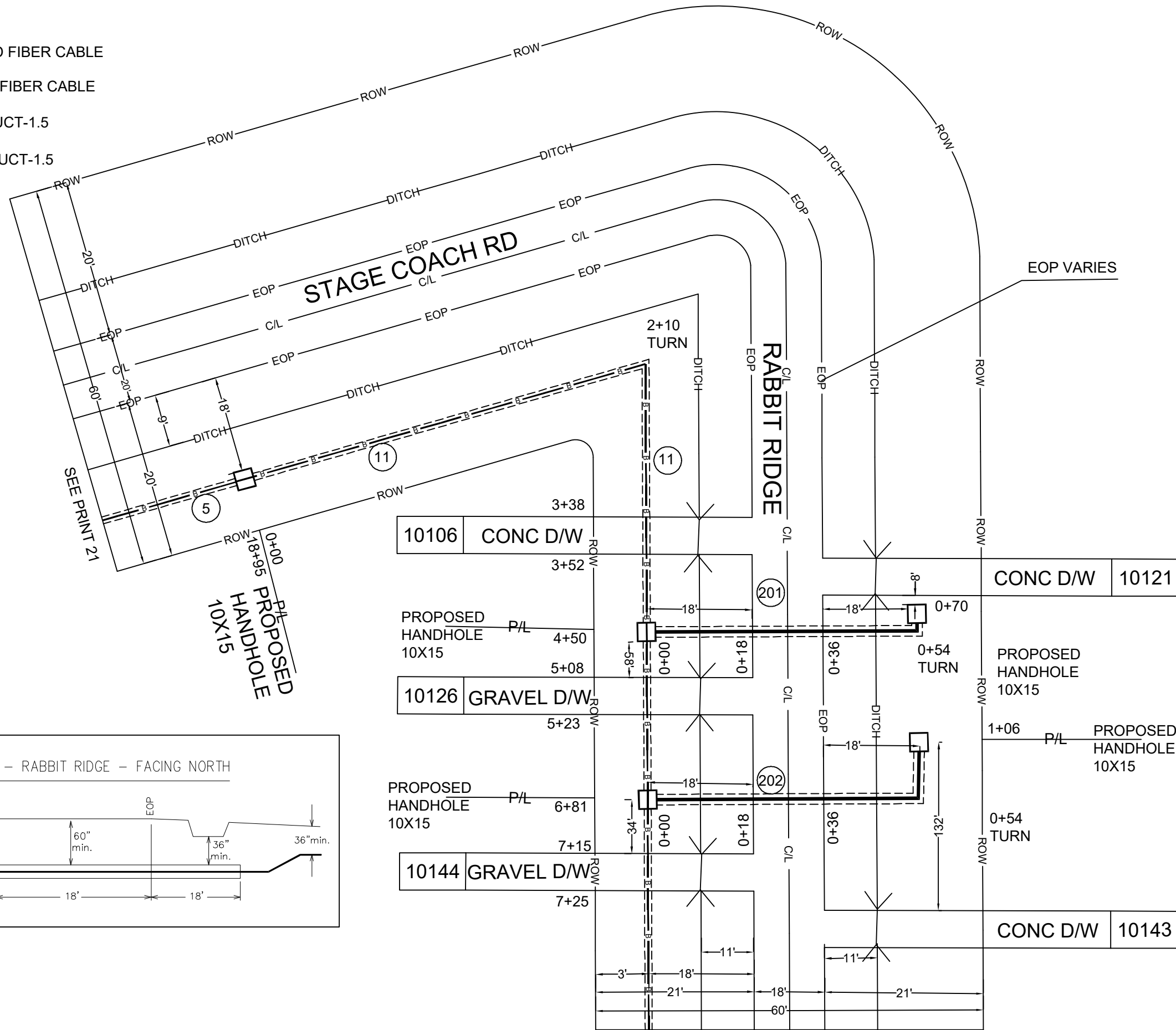
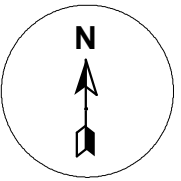
- ⑤ PROPOSED 144F BURIED FIBER CABLE
- ①91 86' PROPOSED INNERDUCT-1.5
- ①92 64' PROPOSED INNERDUCT-1.5
- ①93 95' PROPOSED INNERDUCT-1.5



BORE DEPTH 36" MINIMUM
DRAWING NOT TO SCALE

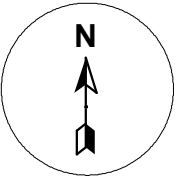
ADDRESS: 2848 STAGE COACH RD		
PARISH: CADDO		
PROJECT# A02TJWO	DATE SVC REQ'D 01/31/2025	
NPANNX 318925	GEO LOC K4526	CLLI ktvllama
PRIMARY ENGR: JUSTIN ASH		
ENGR.ID: JA877K		
PHONE#: 225-489-4528	PRINT: 21 OF 26	

- 5 PROPOSED 144F BURIED FIBER CABLE
- 11 PROPOSED 48F BURIED FIBER CABLE
- 201 70' PROPOSED INNERDUCT-1.5
- 202 106' PROPOSED INNERDUCT-1.5

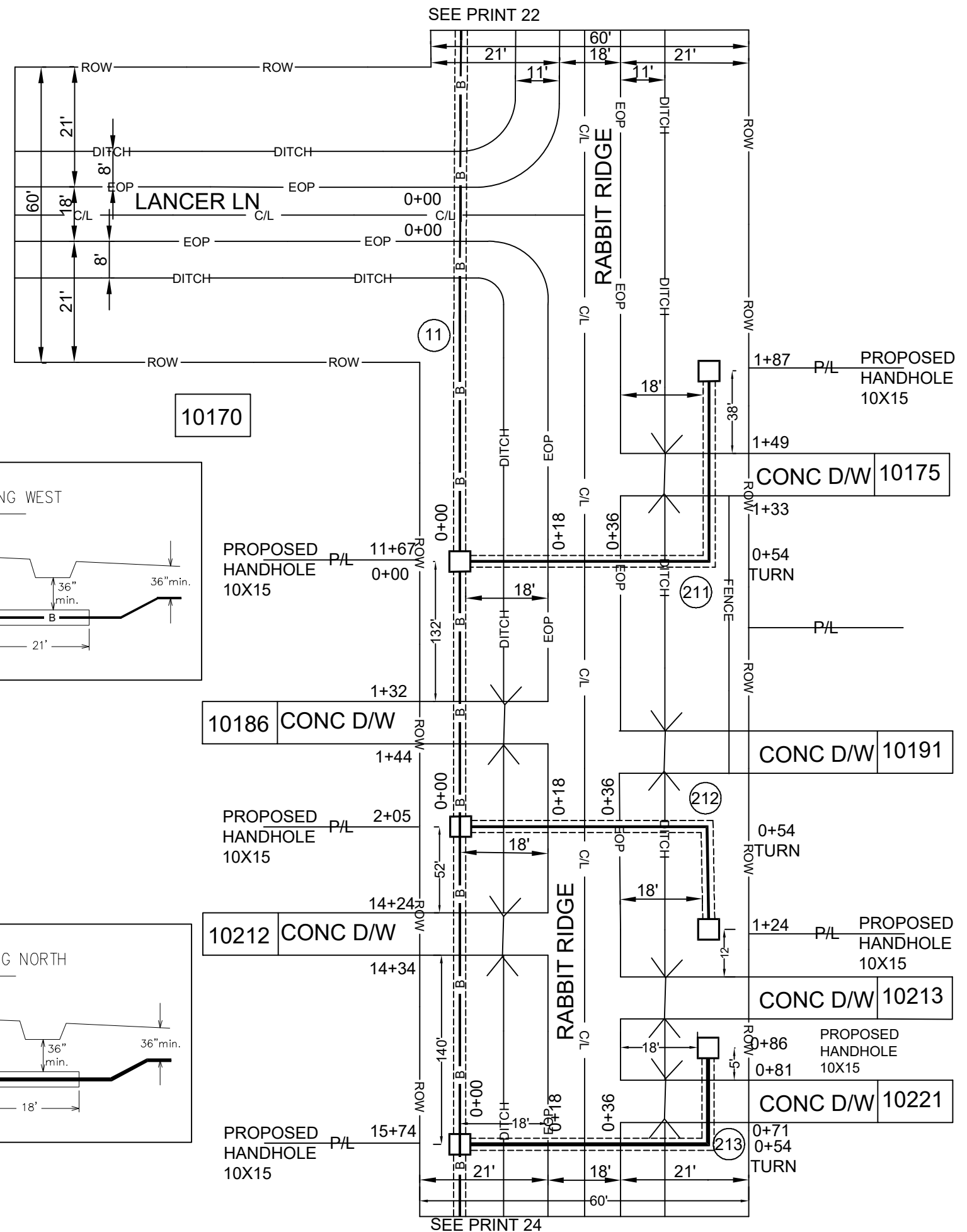
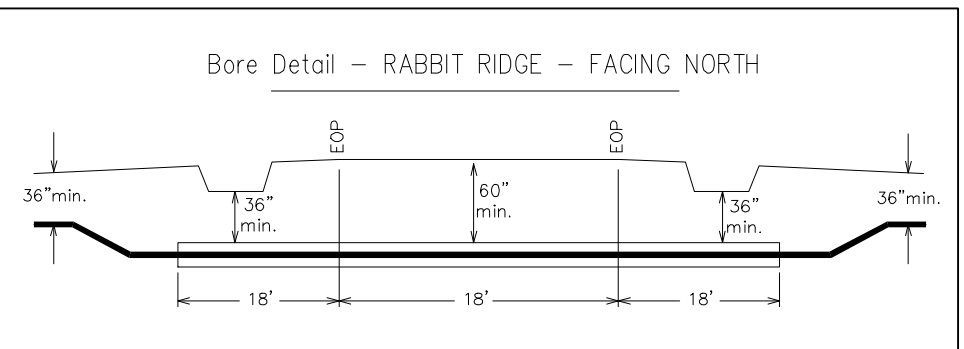
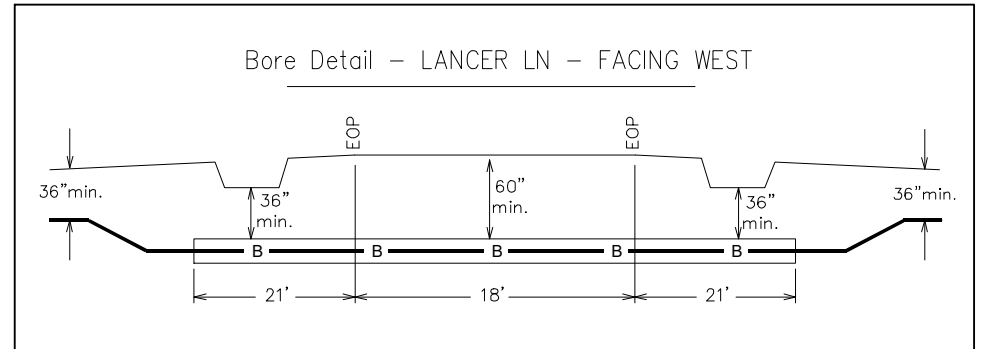


BORE DEPTH 36" MINIMUM
DRAWING NOT TO SCALE

ADDRESS: 10121 RABBIT RIDGE		
PARISH: CADDO		
PROJECT# A02TJW0	DATE SVC REQ'D 01/31/2025	
NPANNX 318925	GEO LOC K4526	CLLI ktvllama
PRIMARY ENGR: JUSTIN ASH		
ENGR.ID: JA877K		
PHONE #: 225-489-4528	PRINT: 22 OF 26	

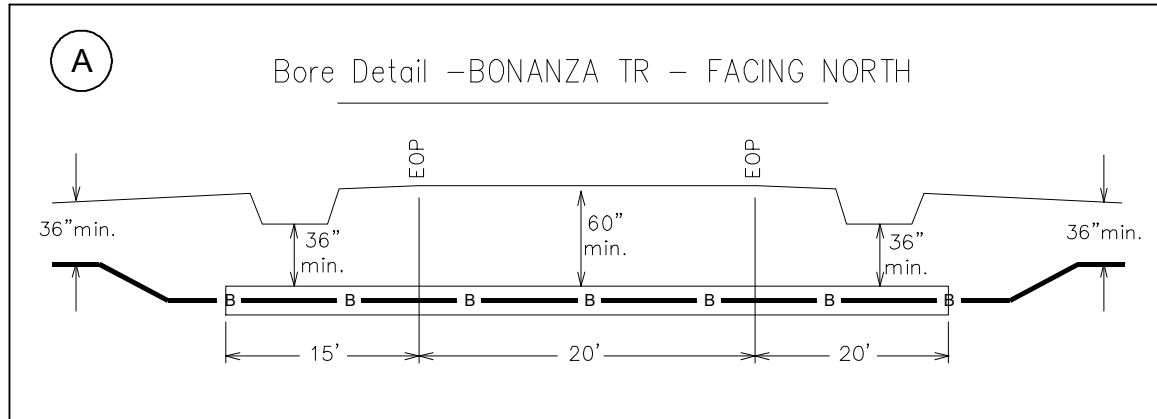
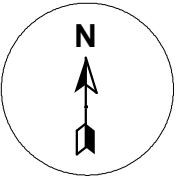


- ① PROPOSED 48F BURIED FIBER CABLE
- ②11 187' PROPOSED INNERDUCT-1.5
- ②12 124' PROPOSED INNERDUCT-1.5
- ②13 86' PROPOSED INNERDUCT-1.5

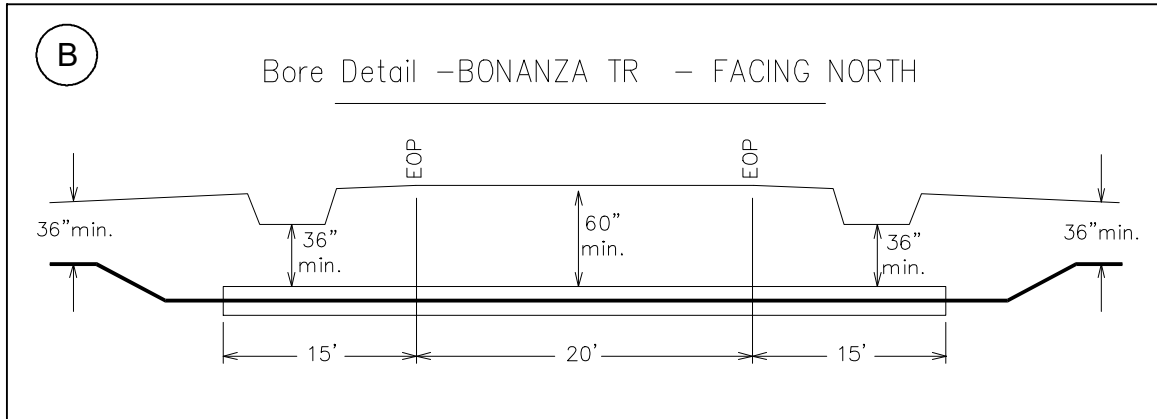


BORE DEPTH 36" MINIMUM
DRAWING NOT TO SCALE

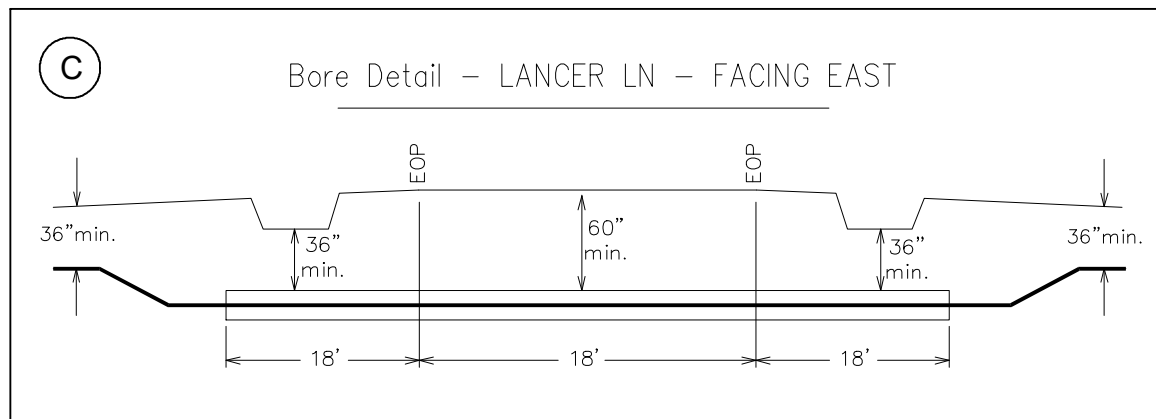
ADDRESS: 10175 RABBIT RIDGE		
PARISH: CADDO		
PROJECT# A02TJW0	DATE SVC REQ'D 01/31/2025	
NPANNX 318925	GEO LOC K4526	CLLI ktvllama
PRIMARY ENGR: JUSTIN ASH		
ENGR.ID: JA877K		
PHONE#: 225-489-4528	PRINT: 23 OF 26	



(A) SEE PRINT 14 FOR DWG



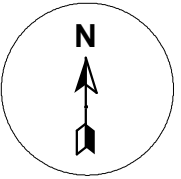
(B) SEE PRINT 14 FOR DWG



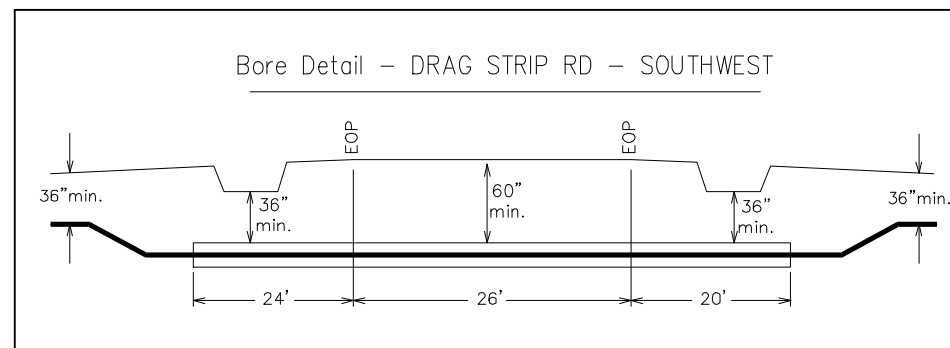
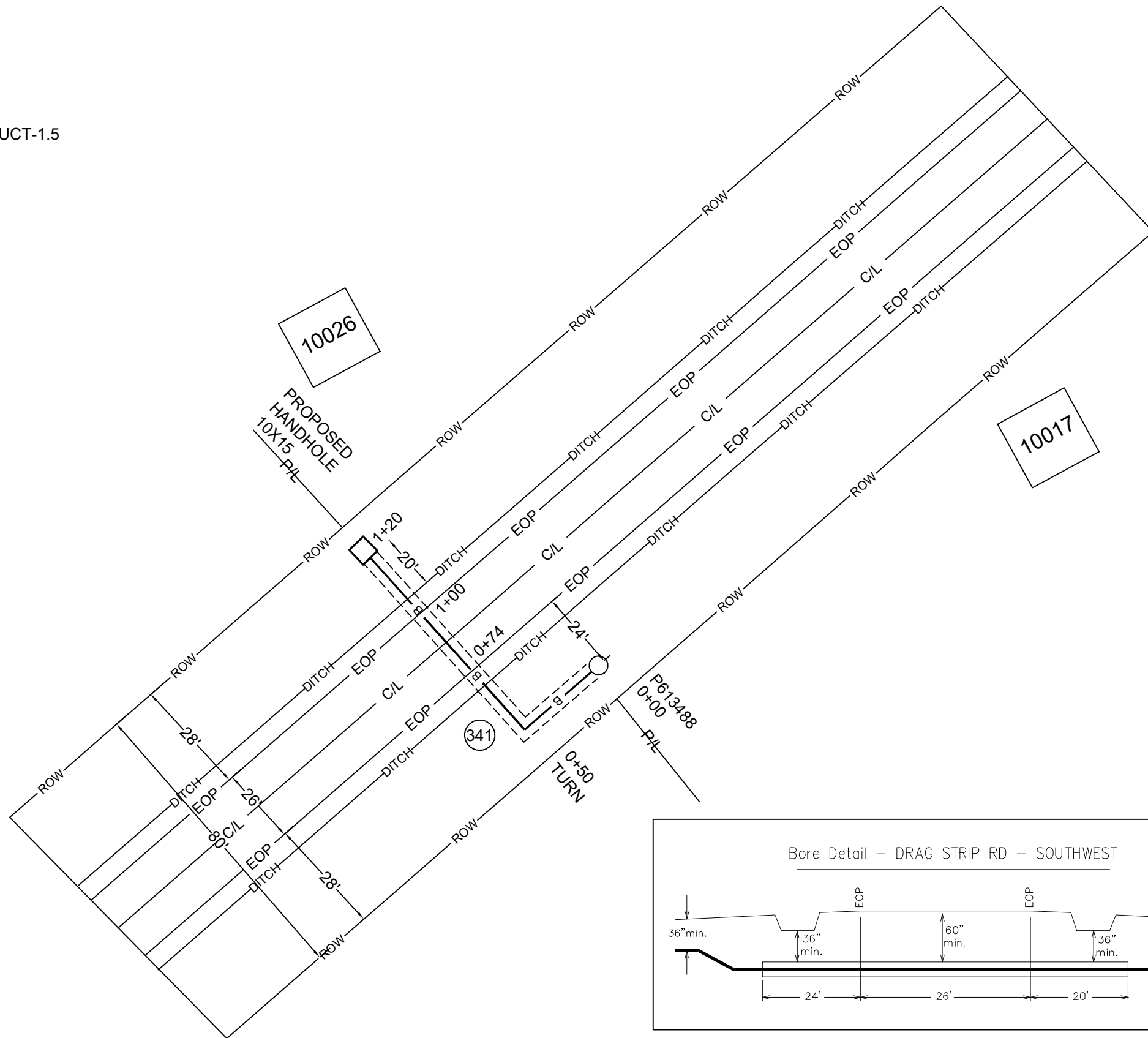
(C) SEE PRINT 14 FOR DWG

BORE DEPTH 36" MINIMUM
DRAWING NOT TO SCALE

ADDRESS:		
PARISH: CADDO		
PROJECT# A02TJW0	DATE SVC REQ'D 01/31/2025	
NPANNX 318925	GEO LOC K4526	CLLI ktvllama
PRIMARY ENGR: JUSTIN ASH		
ENGR.ID: JA877K		
PHONE#: 225-489-4528	PRINT: 25 OF 26	



341 120' PROPOSED INNERDUCT-1.5



BORE DEPTH 36" MINIMUM
DRAWING NOT TO SCALE

ADDRESS:		
PARISH: CADDO		
PROJECT# A02TJW0	DATE SVC REQ'D 01/31/2025	
NPANNX 318925	GEO LOC K4526	CLLI ktvllama
PRIMARY ENGR: JUSTIN ASH		
ENGR.ID: JA877K		
PHONE#:	225-489-4528	PRINT: 26 OF 26